



The Pavilion

Installation Guide | Version 1.0

Gardenrooms
By Ultraframe

The Pavilion

Introduction

Thank you for choosing a Garden Room by Ultraframe.

This guide is designed to make fitting as straightforward as possible. Before you commence installation, please take a moment to familiarise yourself with this guide.

This guide is written on the basis that the capability / structural performance of any foundations have been checked.

Feedback & Support

Any feedback is welcomed so we can continually develop and improve our systems.

Please contact the Tech Support Team on **01200 452918** or email techsupport@ultraframe.co.uk

Health & Safety

Site safety is paramount. The Construction (Design & Management) Regulations 2015 apply to the whole construction process, on all construction projects from concept through to completion. Compliance is required to ensure construction projects are carried out in a way that secures health and safety. The installation company shall be responsible for the safety of all of the fitting team, the customer and members of the public.

The Surveyor should have carried out a risk assessment to reduce risk on site and this should have been discussed with you prior to starting.

Please use safe working platforms and ladders that comply with BS EN 131. Always use equipment in line with manufacturers recommendations. Personal Protective Equipment - such as goggles, mask and ear defenders – should be used when appropriate.

Careful consideration should be given to the safe disposal of all packaging - Ultraframe packaging is predominantly made from recycled materials and can be readily recycled.

Product

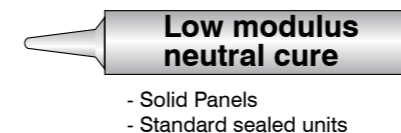
The kit is supplied with a location plan, a quality control check list for the box in which this guide arrives and, of course, this installation guide. The location plan is used to match individual components to their respective position on the roof. Our numbering convention always starts at the top left, as you look from outside back at the front elevation.

The majority of aluminium and PVCu components contain identification codes, usually by inkjetting or labelling – should you need to re-order a part this should help.

Sealing

It is important to use the correct sealant when sealing the roof.

1. For the solid panels a low modulus neutral cure brand of silicone must be used
2. For the individual 'self cleaning' glass panels use MS Polymer sealant such as Rotabond 2000.



What's Not Provided?

- Windows
- Doors
- External wall claddings
- Internal boarding
- Cills
- Base tray to slab fixings
- Eaves to frame fixings

Aluminium Products

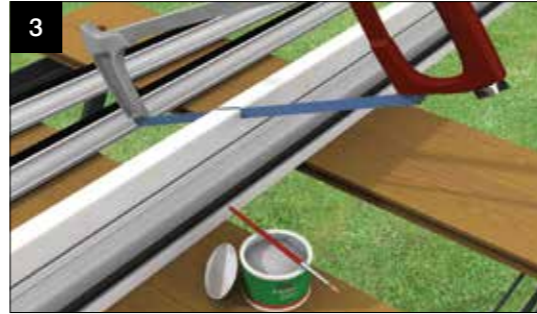
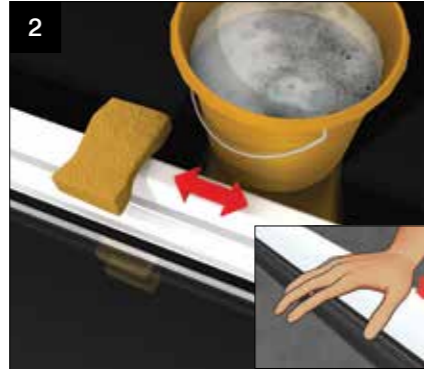
Painted aluminium products - Please Note

All paints will 'chalk' to some extent and there will be a reduction in gloss level over time. (See cleaning and maintenance guidelines below)

Quality expectations on installation.

Appearance: This is assessed based on the selection of the 'significant' (primary) surface. From a distance of 3m, stand at an oblique angle of 60° and then defects such as blisters, runs, pin holes etc should NOT be seen.

Colour and gloss: Viewed from 5m, the coating must be of even colour and gloss with good coverage.



If storing in warehouse racking or on rails/roof racks, take care to support the products and do not over tension straps and ropes. When opening sealed packs, use a special box knife.

Grease marks, dirt and mastic spillage may be removed using soapy water. Take care when fitting aluminium products to not use excessive force.

If site cutting is necessary (drainage slots need inserting or a down pipe hole has to be cut) ensure all swarf is kept away from the painted surface and then seal with a primer/corrosion inhibitor and then top coat. Alternatively, use a suitable gap sealant to prevent the onset of corrosion. These steps are critical in marine environments.

Structural Enhancers

These items are specified automatically on some projects (IF STRUCTURALLY REQUIRED)



Each eaves corner (90°, 135° and 150°) is supplied pre-fitted with an additional standard cleats(2 in total).



On Georgian hip bar, a butterfly cleat is laid over two captivated roofing bolts.



An aluminium bolster beam is factory stitched and extends along the entire length of the ridge and acts as one with the existing aluminium ridge body to virtually eliminate deflection.

Pre-installation Checks

Attach the glazing bar end cap fixing blocks - as access restrictions (box gutter situations) may prevent easy attachment later. NOTE: These are attached to the end caps when despatched from the factory.



Tools Required



8, 10, 13mm Socket Spanner



Deadblow Hammer or White Rubber Mallet



No. 2 Pozidrive Bit



5mm Wide Flat Blade Screwdriver



Hack Saw



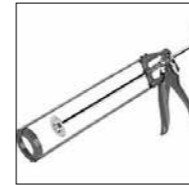
Drill/Screwdriver



Long nose pliers



4.5mm Drill Bit
10mm Drill Bit



Sealant Gun



2 x 5mm Allen Keys
(Vic fixing kit)



17mm Open Ended
Spanner - Tie
Bars



Spirit Level (magnetic
useful for internals)



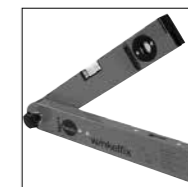
Tape Measure



Gasket Shears/Snips



Adjustable Support Prop



Angle finder

Cleaning and Maintenance



If surface damage is encountered, use 120-360 grit paper to prepare the surface. Wipe clean with white spirit.



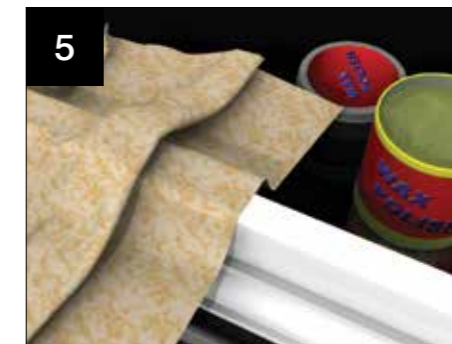
Ensure the surface is dry - apply a thin primer coat using a fine brush.



Finally, apply an air drying top coat with a fine brush.



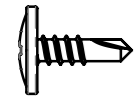
General cleaning can be undertaken by a wash with warm soapy water.



For added protection, a wax polish can be applied up to twice per year - follow the polish manufacturer's instructions carefully.

PLEASE PASS TO HOMEOWNER
It should be noted that polyester powder coatings are not maintenance free - the extent of cleaning depends upon the local environment and on the attitude of the building owner. Think cars here...if the building owner wants a finish like that, more regular cleaning is needed. All paints will 'chalk' to some extent and there will be a reduction in gloss level over time - this can be restored.

Fixings Identification



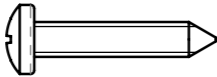
CHAA006
4 x 13mm Self Drilling Wafer Head (Pk 25)



NRTF050
4.2 x 25mm Piercing Wafer Head (Pk 50)



CHA007
4.2mm x 19mm Pan Head Self Drilling Screw (Pk 25)



EFTA021
4.8 x 25mm Pan Head Self Tapping Screw (Pk 20)



CHA008
4.8 x 32mm Pan Head SS Self Drill Screw (Pk 25)



FSW-55-70/10
5.5mm x 70mm TX CSK Self Drill Winged Screw (Pk 10)



CRN006
M4 x 10mm CSK Screw (Pk 25)



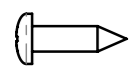
NRDS070
4.5mm x 70mm CSK Screw (Single)



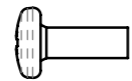
CRN007
4.8 x 16mm Self Drilling Screw (Pk 25)



RRS025
5.5mm x 25mm Hex Head Self Drilling Screw (Pk 25)



CRN008
3.5 x 13mm Pan Head Self Tapping Screw (Pk 8)



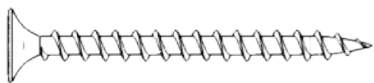
EBT001
5 x 12mm Pan Head Trilobular Screw (Single)



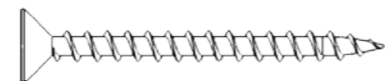
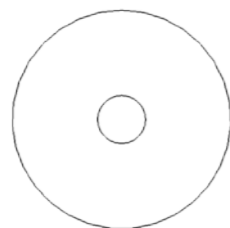
CRN010
4.8 x 32mm Pan Head SS Self Drill Screw (Pk 25)



LVBK060
Livinroof Batten Fixing Kit (Pk 60)

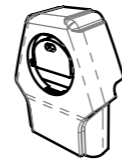


LVIK025
25mm Insulation Fixing Kit (Pk 25)

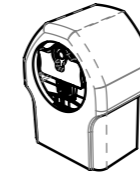


SLP005
Structural Bracket Fixing Kit

Component Identification



CCGA001GR
Edwardian Hip End Cap



CCTA001GR
Rafter End Cap



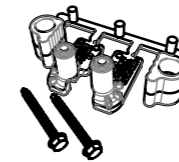
DCM001GR/WV
Concentric End Cap Infill



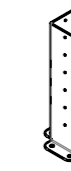
SLH002
Hub Weathering Sheild



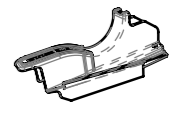
LVCC001
Top Capping Clip



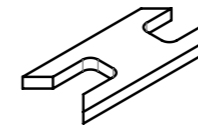
DGCE010
Glazing Panel Clip Kit (Pk 5)



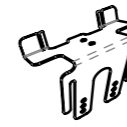
SLP007-BUNDLE
Structural Column Bracket



SWH001
SpeedLOCK Weathering Hood



LPCD090
Cornice Seal 90 Degree



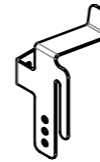
CHA001
Transom Bracket



CRN001
Cornice Cleat



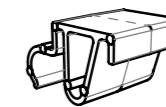
LVIR001
Mineral Wool



CHAA019L
Left Hand Glazed Bracket



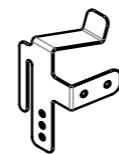
CHA090
Hip Bracket



CRN002
Cornice Support Bracket



LVFT045
Foil Sealing Tape



CHAA019R
Right Hand Glazed Bracket



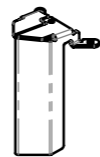
LANCS014MGR
Cornice Outlet



CRN005
Cornice Tie Wire



LVGS001
Double Sided Tape



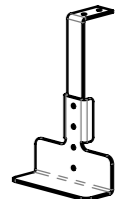
LANCS090MGR
Cornice Corner Two Tier



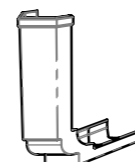
LANCS001MGR
Inline Cornice Two Tier



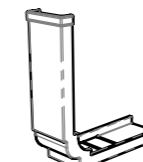
CRN012
Cornice Corner Tie Wire



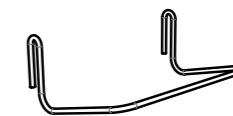
LVRC001
Radius End Bracket



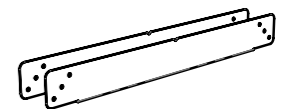
LPCS090MGR
Cornice Corner



LPCC001MGR
Cornice Inline

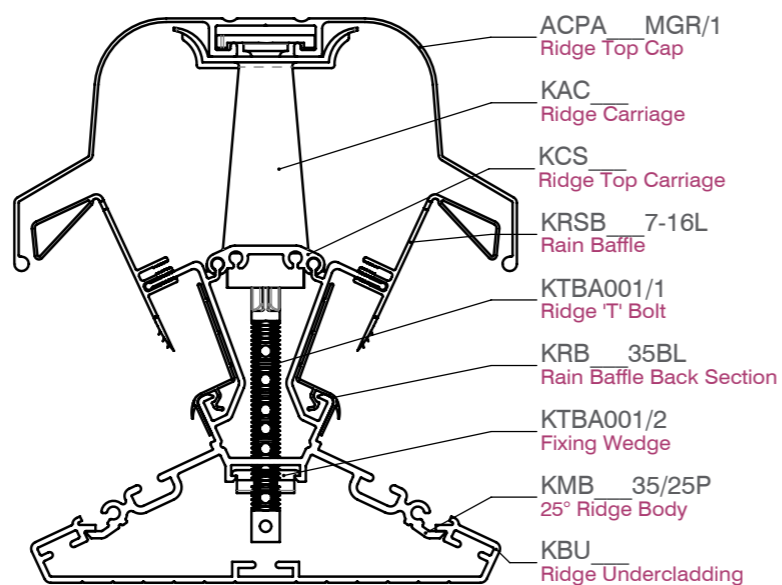
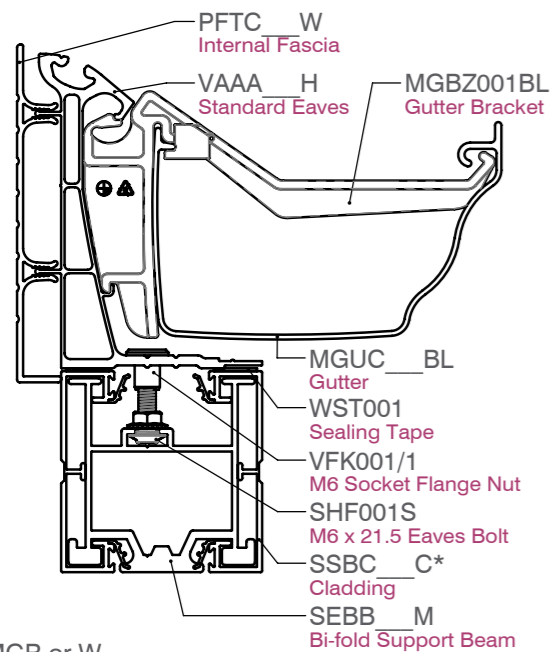
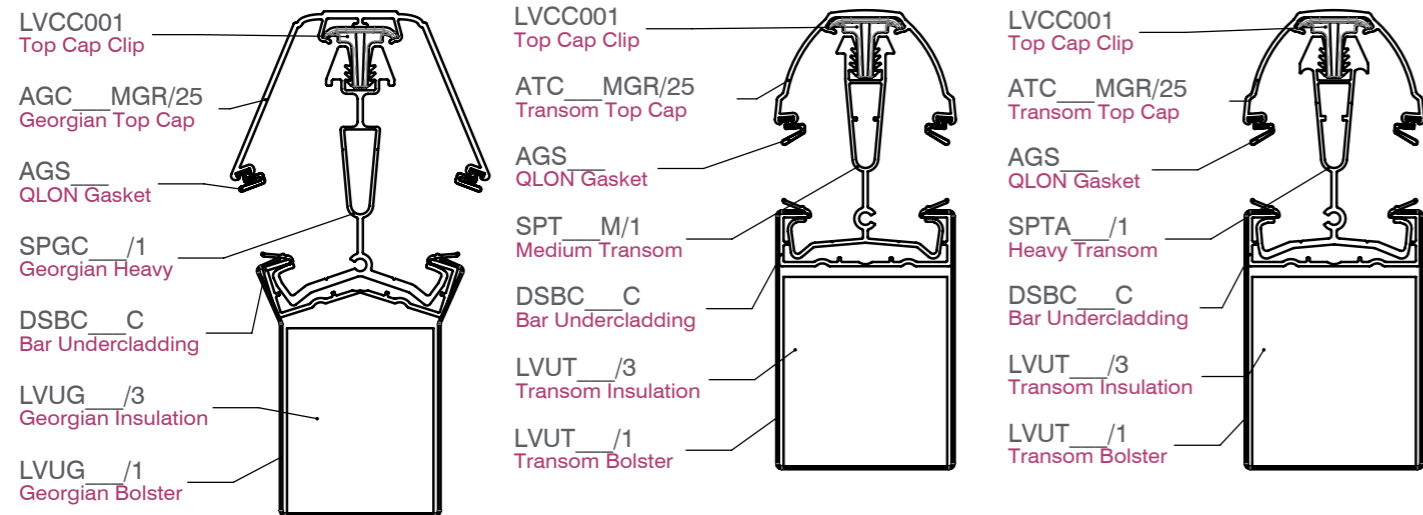
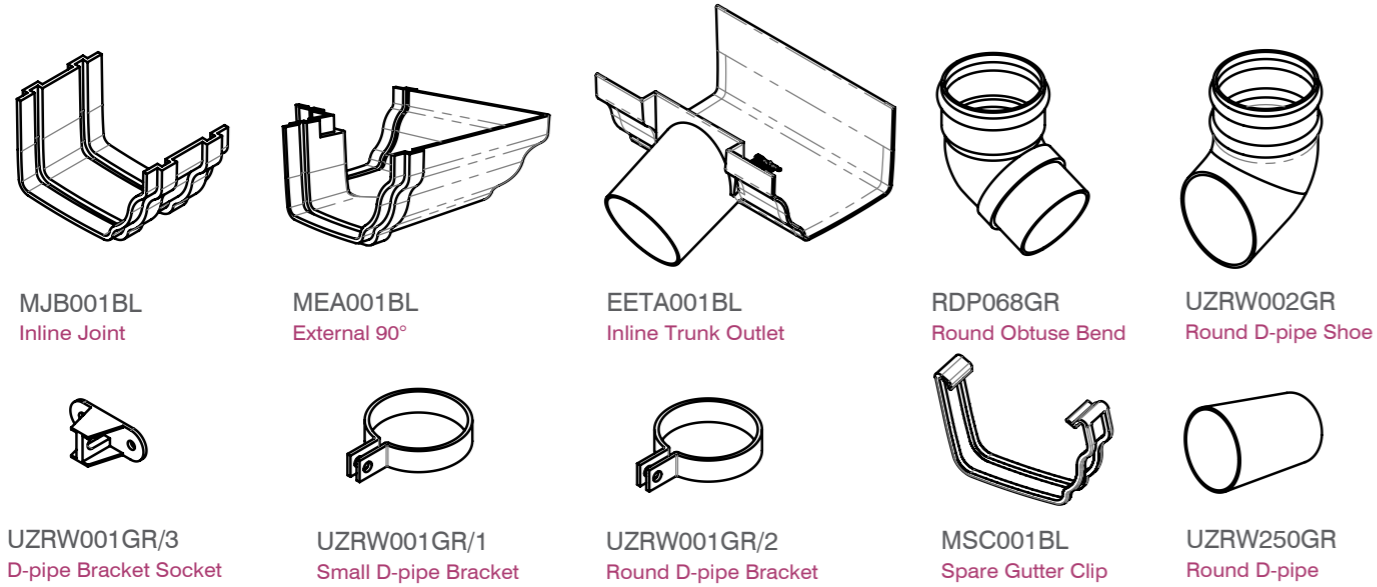


CHA002
Panel Clips



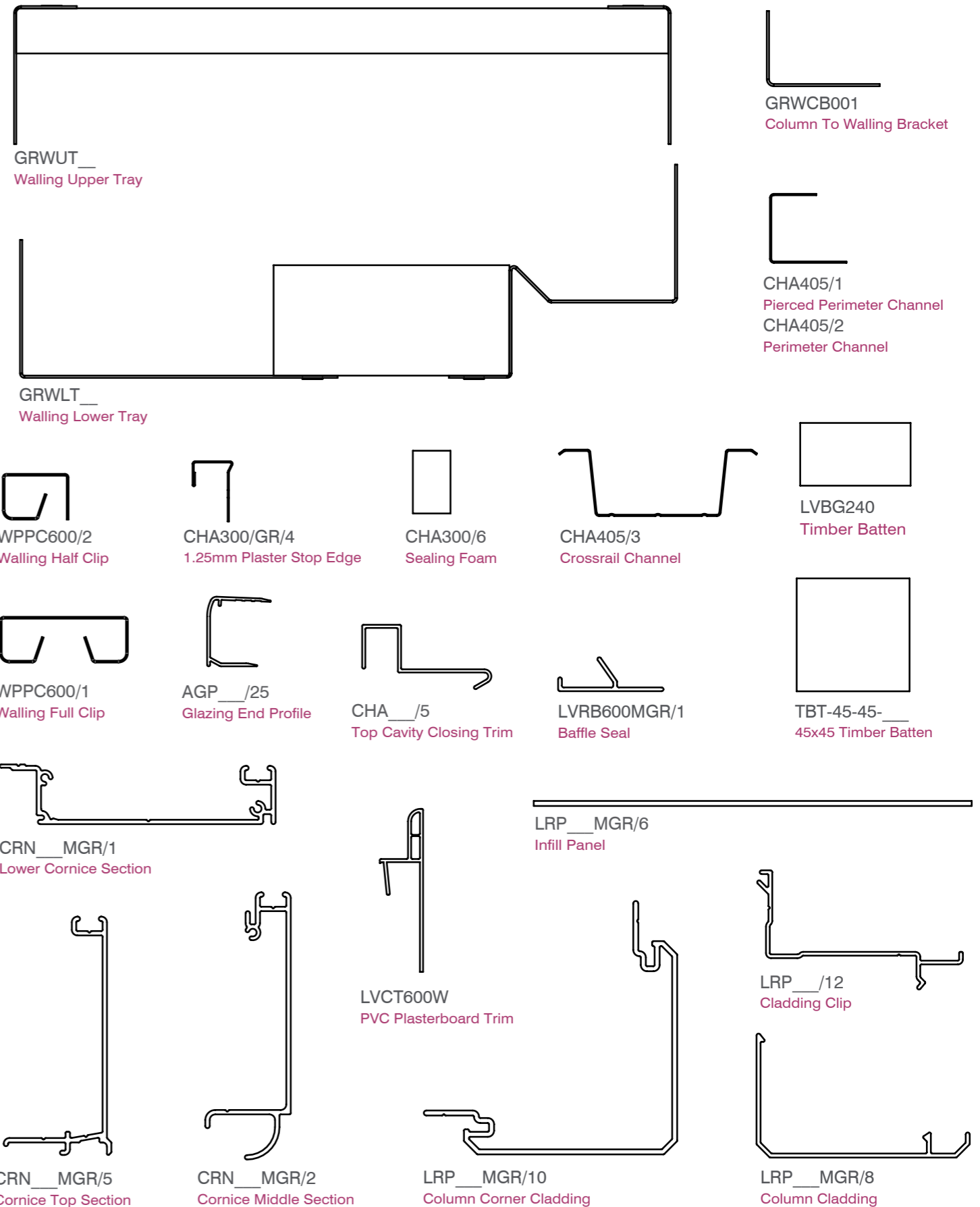
LVLS001
Strut

Component Identification



*FMGR or W

Component Identification



Removal Instructions

SpeedLOCK Removal



If you need to remove a glazing bar from the speedlock 2 socket assembly, remove the speedlock hood (if fitted) and release and lift the bar at the eaves end.



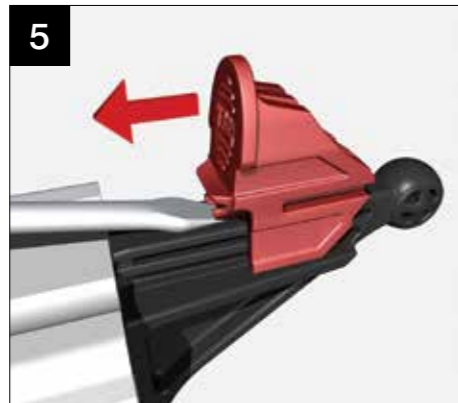
Gently lever up the upper deadlock.



Insert the 5mm wide flat blade screwdriver and gently push against the upper edge of the roller cam (marked yellow).



Gently pulling the bar away will automatically release the head of the speedlock.



Turn the whole bar over, then insert the screwdriver blade under the lower wedge lock. Lift to allow the wedge to ride back over the serrations to its original position.

Top Cap Removal



NOTE: If present - it may be necessary to remove the top section of the cornice to obtain proper access for top cap removal. Remove the screw attaching the top cap to the bar. Grip the top cap firmly and pull down the bar by approximately 150mm.



On long bars, friction may prevent the cap from sliding down the bar. In this case, push a long screw driver under the top cap and pull upwards to release the lower section.

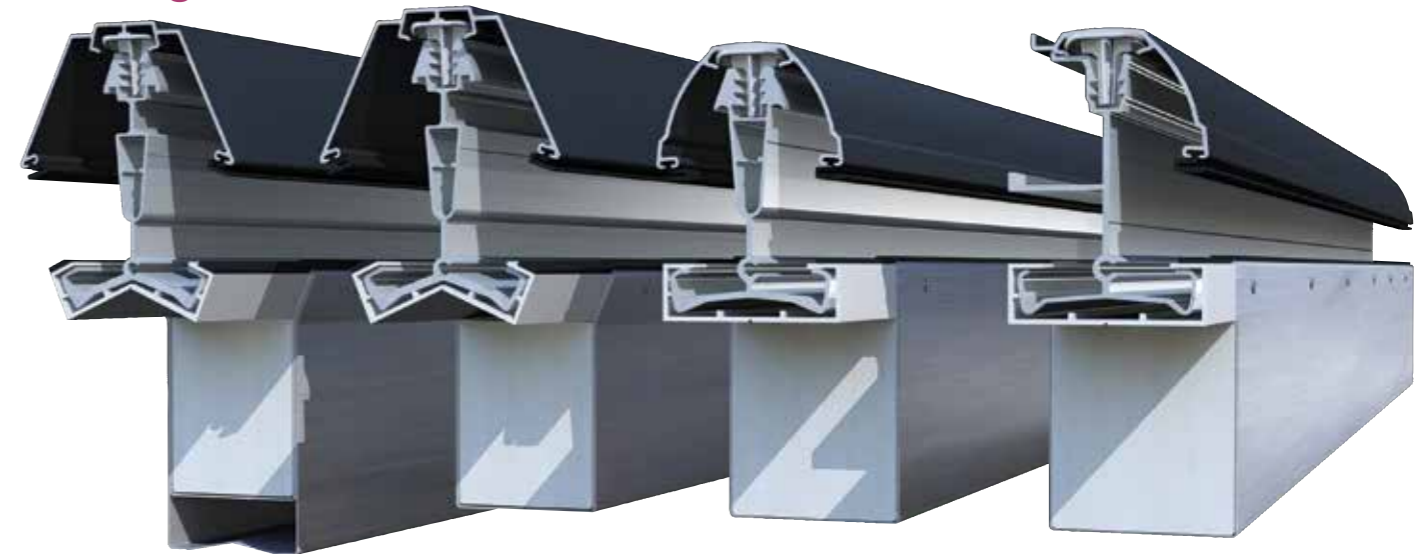


Using two hands, pull the top cap upwards sharply to disengage the top cap clips and remove.

NOTE: top cap clips are likely to be damaged when removing caps - these will need to be replaced.

Product Overview

Glazing Bar Suite



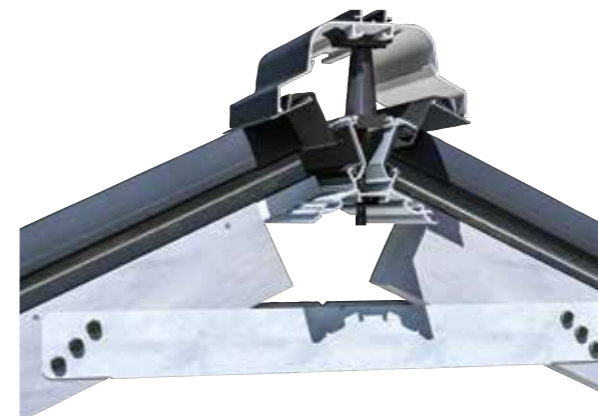
SUPER GEORGIAN

GEORGIAN BAR

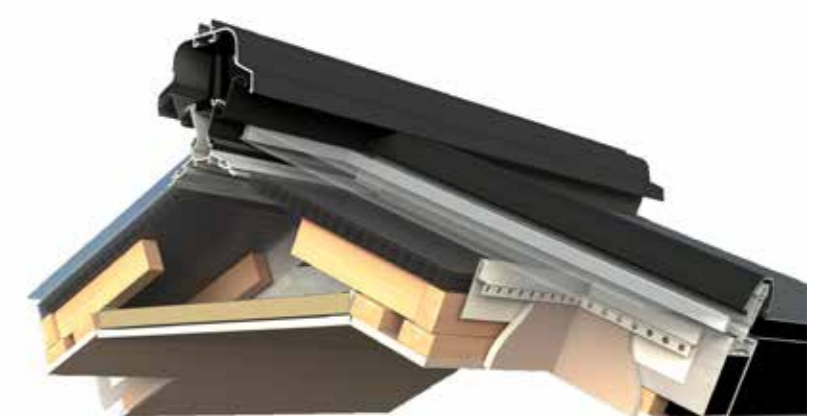
TRANSOM BAR

STARTER BAR

Ridge Details



Strut (fitted to every bar on every roof)



Completed ridge with glass panels

Eaves Details



Transom Bar - solid/glass - on fascia



Hip - solid/solid

*** IMPORTANT - ALL INTERNAL PELMETS TO BE FULLY INSULATED WITH MINERAL WOOL**

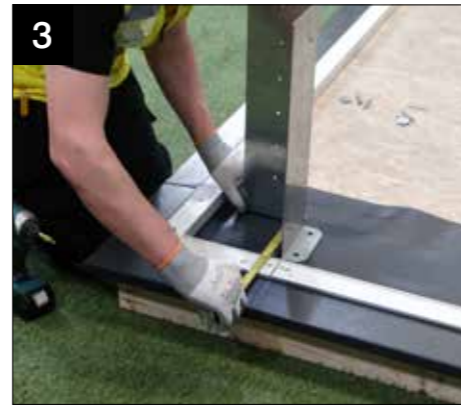
Installation



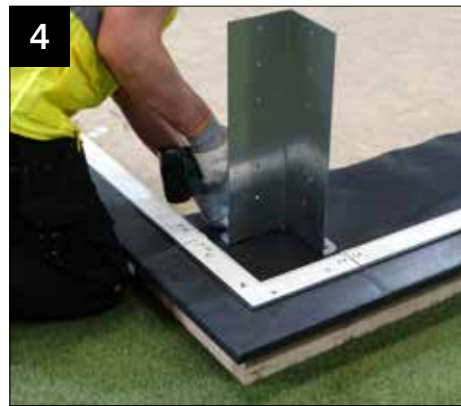
1 Lay out the DPC roll around the perimeter of the base, aligning to the outside edge. Once walls and cills are in place the excess can be trimmed away.



2 Evenly position cill on slab/base sealing any joints with an appropriate sealant. Check diagonals to ensure square and fix cill in place to aid positioning.



3 Measure back from the internal frame (this datum is provided by the cill) by 189mm to the inside face of the insulated column structural bracket. Mark hole positions, remove bracket and drill marked positions using a Ø10mm drill bit.

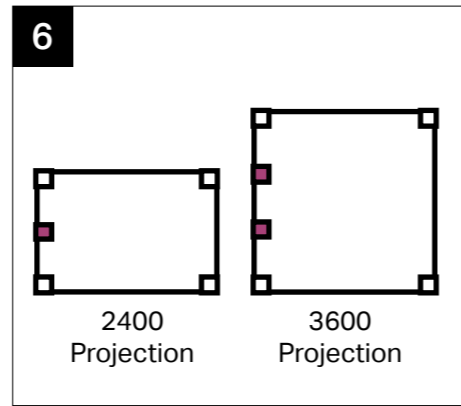


4 Reposition brackets over drilled holes. Fix the bracket down to the slab using anchor fixings provided (SLP005).



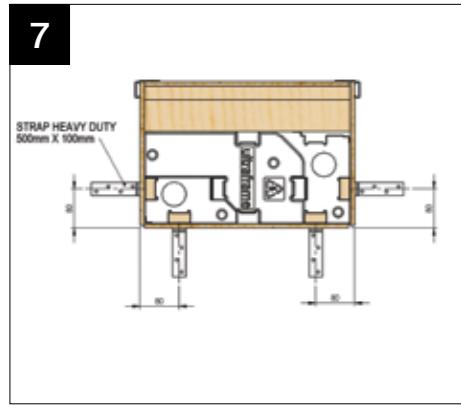
5 Lift column into place and fix to the structural bracket using fixings from SLP005 kit. Ensure that the tall columns are positioned to the front of the structure.
Repeat steps 3, 4 and 5 for each of the four columns.

Premium Pavilion Only:

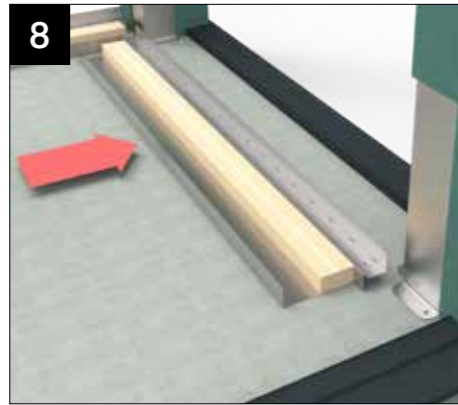


6 Locate the in-line columns to create 2 or 3 equal openings depending on projection.

Premium Pavilion Only:



7 Fix in-line columns to basework with fixing straps as shown.



8 Where walls are located position the walling base trays centred between columns and hard up against the cill. Fix down to slab using appropriate fixings through the pre-punched holes.



9 At the walled elevations align column to walling brackets to the edge of the column and to the top of the column structural bracket and secure to the column using NRTF050 (4.2 x 25mm wafer head screws) through the pre-punched holes.

Installation



10 Lift the walling panels into place starting at the ends before filling in towards the middle.



11 Secure walling panels together using the provided steel clips both internally and externally, these can either be pushed into place or slid down from the tops of the panels.



12 Ensure the walls are pushed against the internal steel of the base trays and fix in position through the pre punched holes in the base trays and column angle using the provided screws (CHAA006).



13 Position the walling top tray on the walls so that the internal steel flange is against the walling clips. It may help at this stage to secure the top tray to the column by diagonally fixing into the column through the OSB tray pulling the two components together.



14 Secure the top tray to the interior wall panels through the pre punched holes using the supplied 13mm self drilling screws (CHAA006).



15 Using the provided roll of membrane, stretch out horizontally across the lower half of the wall and temporarily pin in place using staples or tacks into the corner columns. Repeat across the upper half of the wall overlapping the lower covered area. Repeat the process on all walls.



16 Cut the 45 x 45mm battens to length, these should be cut to the same length as the external walling clips.



17 Starting with the clips closest to the columns, fix the battens to the columns using provided fixings (NRDS070), pushing the batten up against the underside of the top tray. The timbers can then be fixed into the walling panel clips using FSW-55-70/10 towards the top, centre and bottom of the timber batten.

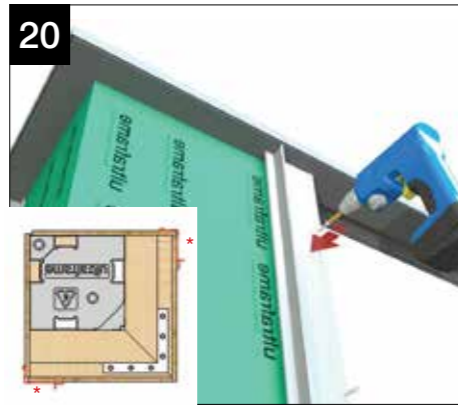


18 Secure the battens to each of the clips by positioning it behind the base tray and top tray steels and centred vertically with the walling panel clips using the provided 5.5mm x 70mm screws (FSW-55-70/10) towards the top and bottom of the timber.

Installation

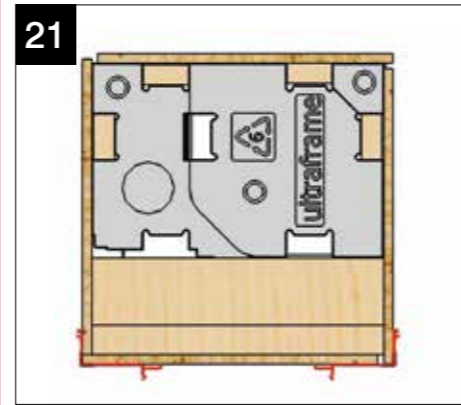


Now secure the top tray and base tray steels to the timber through the pre punched holes using 4.2x25mm wafer head screws provided (NRTF050).

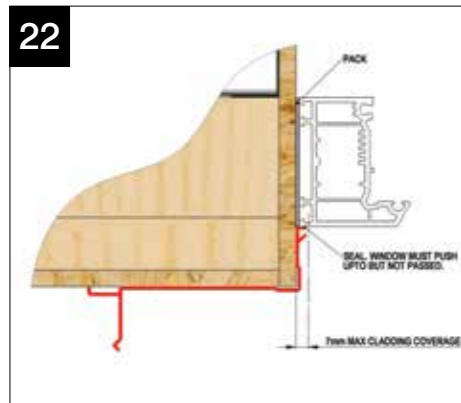


Fix the column cladding clips in position aligning the top edge of the column outer boarding, this is important to prevent interference when the eaves beam is fitted. Screw fix through the holes into the column using the 4.8 x 25mm screws provided (EFSA021). These clips can then be used as a datum point for setting out the frames.

Premium Pavilion Only:



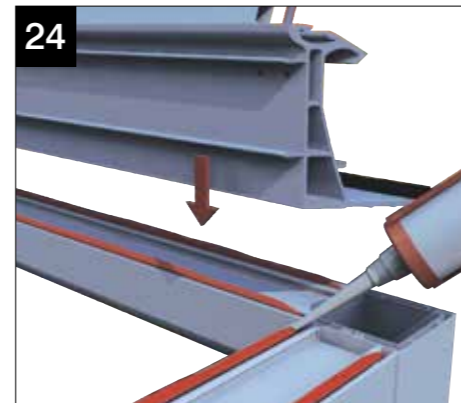
In-line column clips should be positioned as shown above and the same process used for corner columns applies for fitting.



Fit the window and door frames into position against the vertical aluminium clip, ensure plumb and level and secure using appropriate fixings.



Weatherseal any joints/gaps under columns/walls and between windows/doors/walls and columns. Use foam and/or appropriate sealant.



Apply a continuous bead of silicone to the front and rear inner legs of the window frames. Scale over the holes left by any old fixings. Fit the initial piece of eaves beam ensuring that the inside face of the eaves beam is flush with the inside face of the window frame.



Prepare the cill that abuts the tall columns with the detail shown to accommodate the column claddings.



Using the pre-drilled pilot holes, drill two 4.5mm holes through the corner cleats.



Securely fit the two M5 x 12mm tapite screws EBT001.

Installation



Once the eaves beam is secure, run a bead of silicone down the joint where the eaves beam sections meet and where the eaves abuts the host wall.

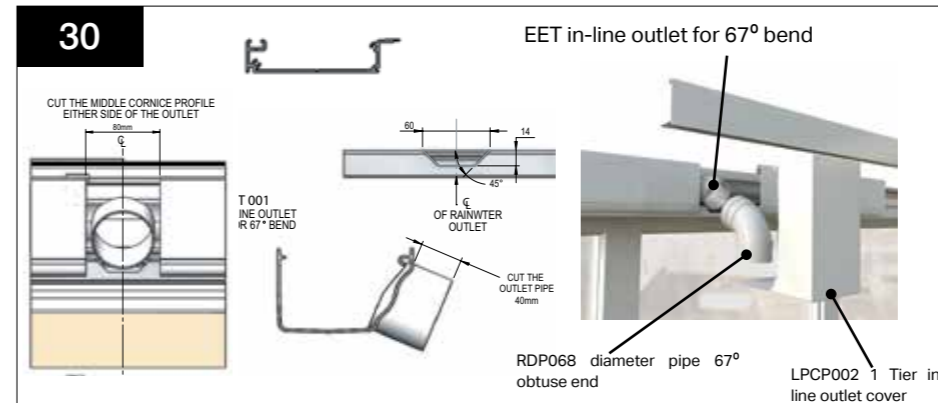
SECURELY FIT THE EAVES BEAM TO THE FRAMES USING ONE OF THE 2 METHODS:



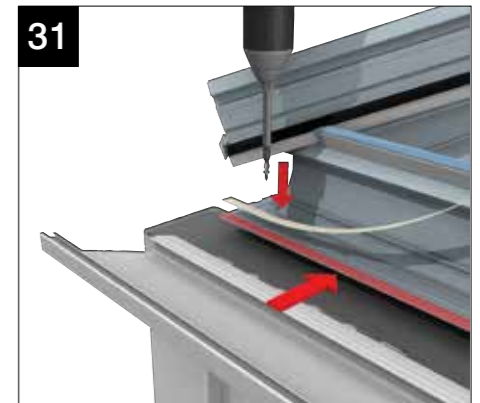
Use 38mm X 4.8mm screws (not supplied) in the position shown. Fix down at 450 centres and within 200mm of each corner. For 60mm frames use the inner eaves extrusion line and outer line of 70mm frames.



Behind the head of the screw, use a 20mm washer so that the thread is biting into the aluminium eaves beam. NOTE: Trim back any screw points protruding through the eaves beam to make flush.



IT IS IMPORTANT TO CONSIDER THE OUTLET POSITION PRIOR TO FITTING THE CORNICE. WHEN THE OUTLET POSITION HAS BEEN DECIDED NOTCH THE CORNICE LOWER PROFILE AS SHOWN



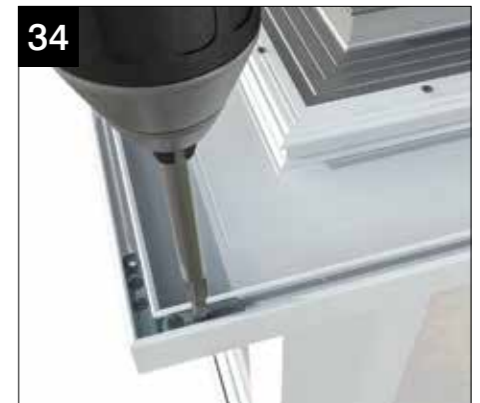
Remove under gutter trim, attach self adhesive strip to 'toe' of eaves beam and offer up the lower cornice section



Prior to fitting gutter offer up the lower cornice section then secure into position using the fixings provided (CRN007). Please note: Always start with the front facet!



Fit the cleats (CRN001) to the desired side using the fixings provided (CRN006) as shown and assemble the remaining lower sections



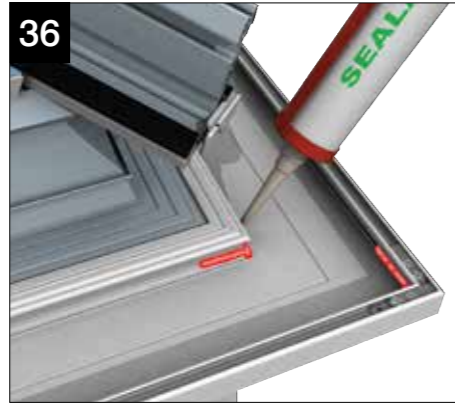
Secure each corner using the cleats (CRN001) and fixings provided (CRN006).

Installation

6000mm width Garden Rooms only:



Attach the cleat CRN001 using 2 x CRN006 provided, on each side of the joint. Repeat as per image.



Silicone seal front and back edge of lower cornice sections (be generous). Similarly butter 'DAM' sealer - position within 50mm of any stop end or outlet.



Take 'rubberised' sealer strips and generously butter with silicone.



At 90° corner insert 'H' section and press down. Similarly apply at stop end or outlet positions.



Continue to support the ridge and offer up the transom glazing bars (above), loosely attaching using the roofing nuts and bolts supplied. Ensure the rain baffle upper leg is lifted prior to placing the glazing bars.



Offer up the hip bars.



Using Speedlock on the glazing bar end, offer the 'ball' into the matching socket.

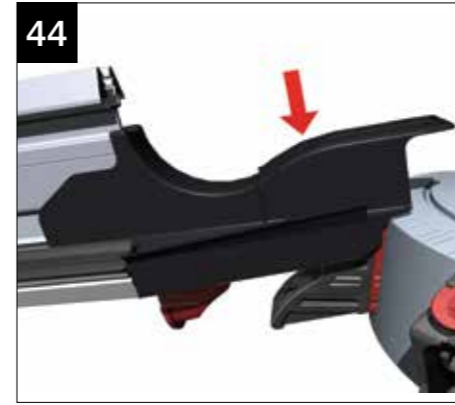


Attach bar at eaves position. Using your thumb push down the upper dead lock so it's flush. **YOU MUST NOT PUSH UP THE LOWER WEDGE LOCK YET.** To remove the bar, lever up the dead lock using a flat blade screwdriver, then insert the screwdriver to release the socket latch.



Next, attach the speedlock hood over each bar, sliding it under the co-extruded gasket of the glazing bar undercladding.

Installation



Push down to locate, with the final position abutting the front edge of the die cast end.

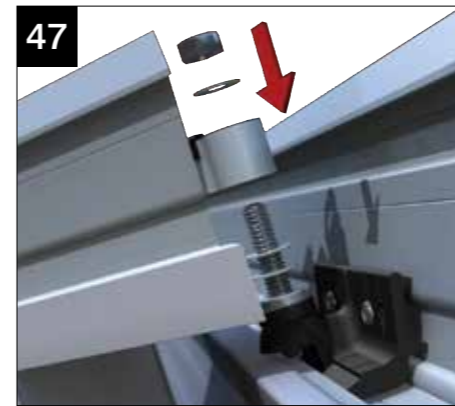
If you need to remove a speedLOCK, see P10.



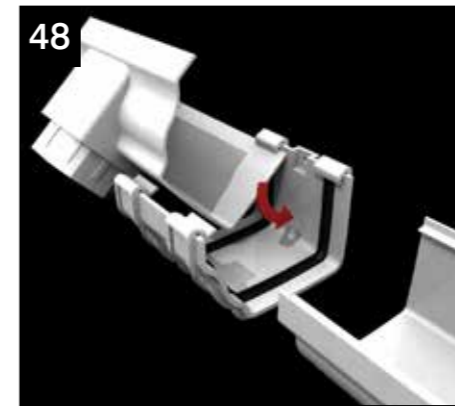
Continue to attach all the glazing bars using the location plan provided to check each bars final position with its corresponding label.



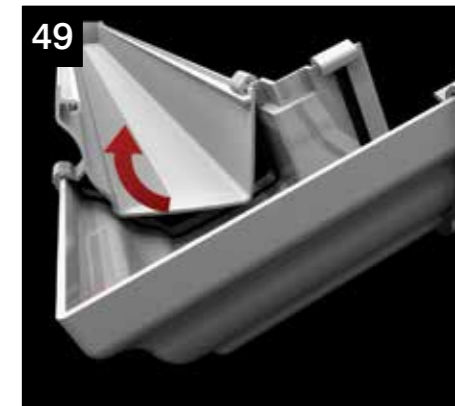
Now start on the jack rafters. The two part jack rafter kit will already be fitted to the hip and jack rafter bars. Again refer to the location plan and corresponding labels attached to the parts.



Each jack rafter kit is supplied with a number of washers. Trial fit the jack rafter and check that the glazing platforms are level. Adjust if necessary by adding or removing washers between the two part connecting kit, then tighten the nut.



Next, build on the ground the gutter runs, by rolling items like a stop end under the back edge of a gutter jointer.



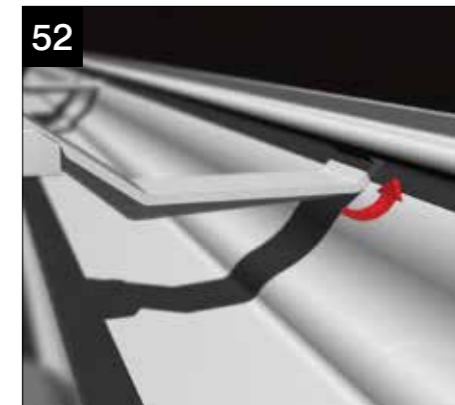
Snap the integral clips on the adaptors over the gutter.



Fit all the gutter brackets supplied with the kit at maximum 750mm centres and maximum 200mm from each corner or gutter union.



Locate the back edge of each section of gutter into the slot in the gutter bracket.

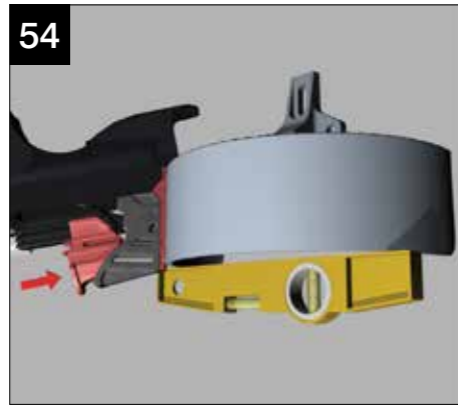


Clip the front of the bracket into the lip on the gutter. PVCu components like the gutter are easier to manipulate when warm. In cold conditions more 'force' may be required.

Installation



53 Ensure the window frames are plumb and the ridge is level. Check that the pitch either side of the ridge is set to 25°.



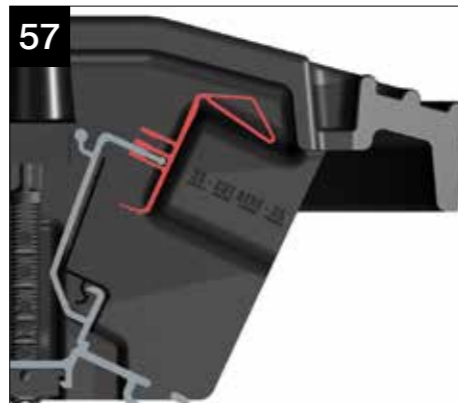
54 Finally when all is level and plumb, use your thumb to push up the lower wedge which locks into closed position. The roof is now set.



55 Seal the area where the co-extruded gasket on the hip bar butts against the co-extruded gasket on the jack rafter.



56 Take the 'soft touch' hub weathering shield. It fits by lifting the flaps on the ridge rain baffle to insert. NOTE: The weathering shield may need to be trimmed to suit to fit snugly.



57 The rain baffle should nestle neatly to form a continuous weather tight joint.



58 For each glazing bar, 'snip' two small cuts in the weathering shield and then a horizontal cut to remove 'flap' which facilitates the top cap sliding under.



59 Lift strut into position – check level and fix using hex head drill screws, 3 fixings per side (12 in total). Attach all struts at this stage.



RRS025
Hex Head Drill screw
5.5mm x 25mm



60 **FIT RADIUS END BRACKET IF SPECIFIED**
If a glazing bar is set back from the final point by more than 150mm, a 2-piece radius end bracket is specified to attach the ridge board top 'L' shaped hanger bracket to the ridge body as show, using 2 x hex head screws (RRS025).

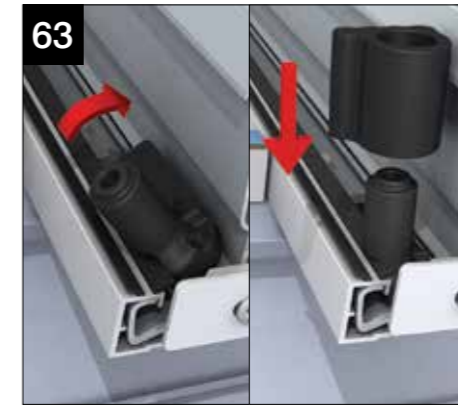


61 Then attach bottom hanger plate to 'L' shaped bracket, ensuring that its bottom face lines through with the underside of the struts. NOTE: It may be necessary to trim back the 'L' shaped bracket if it protrudes below the plate.

Installation



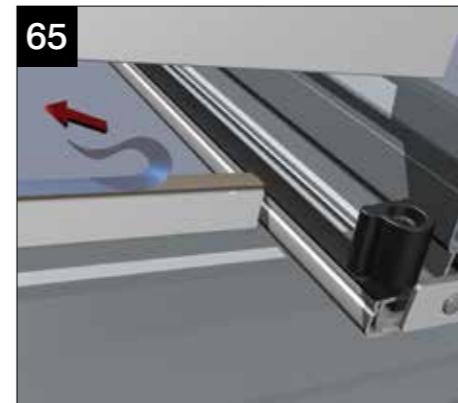
62 Now is the time to fit the panel end profile. Take the painted profile and protect its surface. Apply a bead of relevant sealant (MS polymer on self cleaning glass). Slide into position on panel, wipe clean any sealant from surface.



63 Now it is time to start fitting panel clips. Snap off appropriate handed clip (left hand illustrated). Handing marked on base of clip. Line up the rounded edge on base plate next to central web of glazing bar then tuck neatly under gasket side of bar. Rotate clip into position. Push the grommet over the post as shown.



64 Slide the complete assembly down the glazing bar, using the endcap fixing block as the 'stop'.



65 Tease the 'tail' of the glazing support trim tape free (ready to be pulled away when the sealed unit is finally in position).



66 Now glaze the side frames before glazing the roof - this provides additional rigidity whilst working above. Centralise the glazing between the glazing bars. If necessary pack it out on each side - press it down onto the support trim.



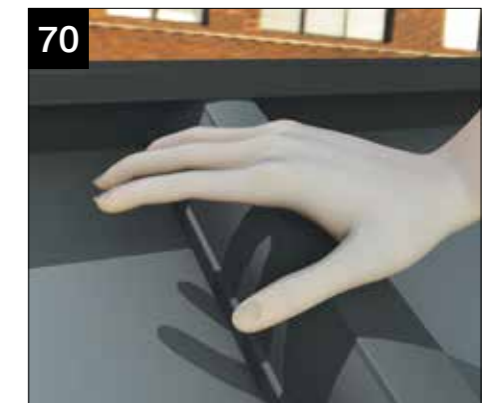
67 Ensure the glazing end profile sits snugly behind the grommet. Now, using the fixing provided screw down into the bar as shown. Ensure clip offers maximum support to panels at all times.



68 Place the aluminium top caps onto a protected surface. Slide clips into each bar - position down from ridge / eaves at a max centre of 100mm and then at 500 centres (max) inbetween. N.B. AT RADIUS END, IT MAY BE NECESSARY TO SLIDE CLIP FURTHER DOWN TOP CAP TO ENSURE ENGAGEMENT WITH GLAZING BAR.

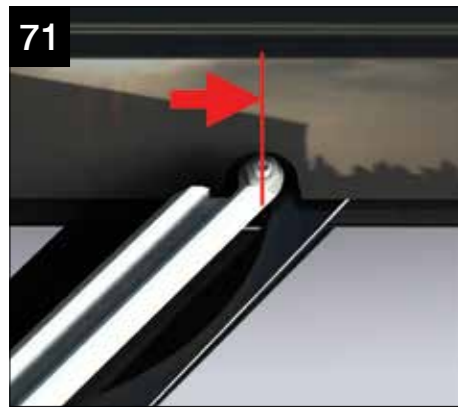


69 Lift the rain baffle leg and position top cap.

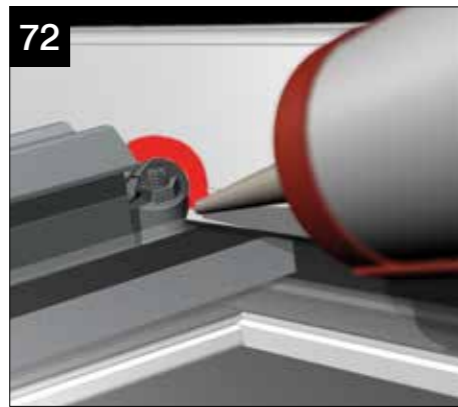


70 Using the heel of your hand, push down on the top cap to engage the clips, working from ridge to eaves. Ensure the rubber gaskets are full compressed for a watertight seal. NOTE: on longer bars it may be necessary to use a soft mallet and timber block. If you need to remove a top cap, see page 10.

Installation



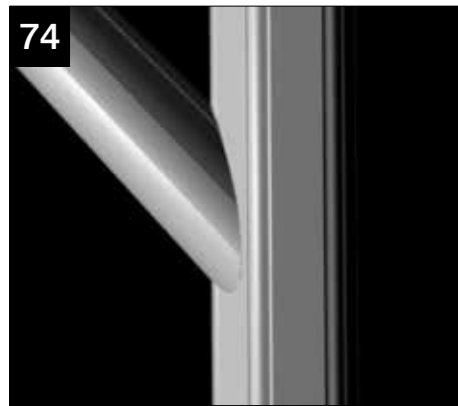
71 Now on the georgian hip bar tap the glazing bar top cap up until the cut out sits centre to the jack rafter fixing.



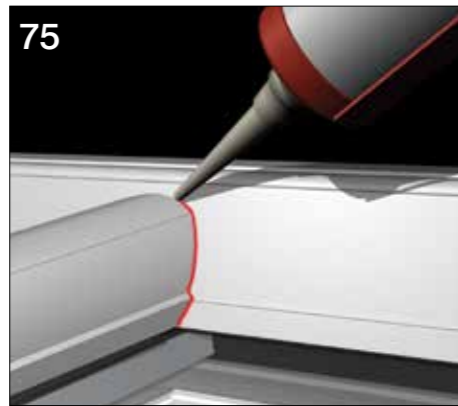
72 Seal around the notched Georgian top cap ready to receive the jack rafter capping.



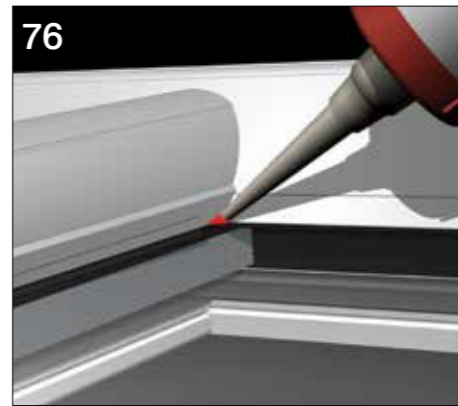
73 Ensure the jack rafter top capping is lined up correctly (as above) before knocking the top cappings into position.



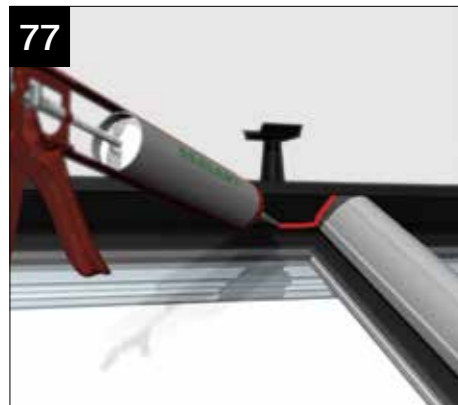
74 The jack rafter top capping should sit tightly up to the hip bar top capping as shown.



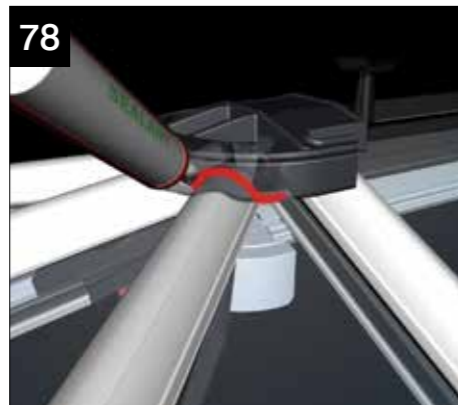
75 Seal around the joint on the jack rafter capping when complete.



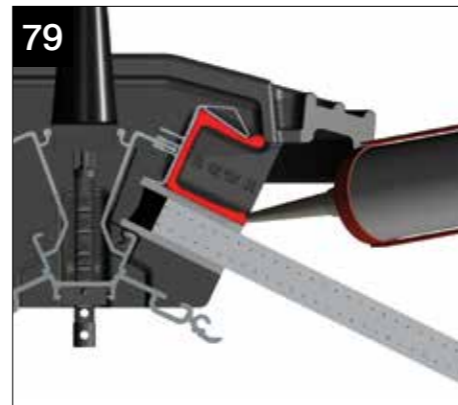
76 Carefully point the corners on each side of the capping where the gaskets abut each other.



77 Seal around the top of each glazing bar top capping where it meets the rain baffle. Next, run a bead of sealant along the edge where the glazing meets the rain baffle.



78 Seal around each glazing bar top capping where it meets the inner wall of the 'soft touch' moulded weathering shield. Also apply a bead of sealant to the top edge of the weathering shield so that the ridge capping will seal against it when fitted.

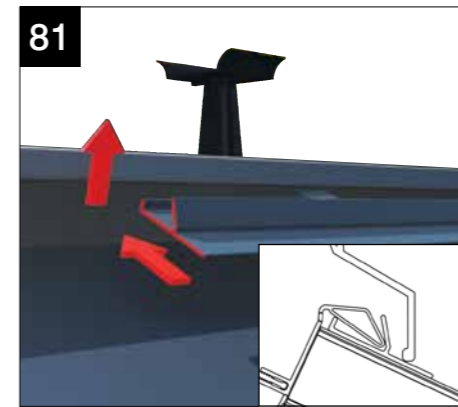


79 Run a bead of sealant in the position shown where the 'soft touch' moulded weathering tray meets the ridge body.

Installation



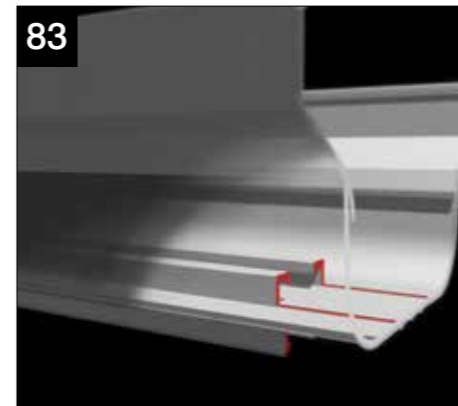
80 An aluminium extrusion is provided to give an additional seal at the ridge. Silicone seal along the length of the 'V' slot.



81 Then offer up the extrusion and attach to the rain baffle. Seal into soft touch moulded weathering shield and host wall.



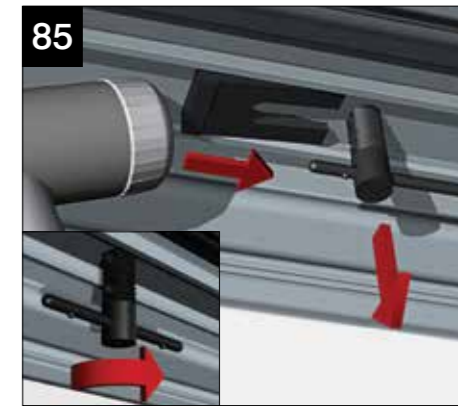
82 Fit the glazing bar end caps by sliding onto the fixing blocks. Push fit the insert into the end cap.



83 Now for the ridge top cap - Cut back the T bolt slot on the underside of the ridge top capping by 40mm.



84 Offer up the complete ridge capping onto the roof.



85 Insert the snap off tommy bar into the T bolt and twist through 90° to locate. Pull down on the T bolt and tap the fixing wedge into place to secure the T bolt. Cut off the excess T bolt below the fixing wedge.



86 Attach fascia board to barbs built into the eaves beam.



87 Offer up the middle cornice section into position, (it may be advisable to temporarily support the lower cornice section whilst fixing) secure using fixings provided (CRN007). (Long reach driver required).

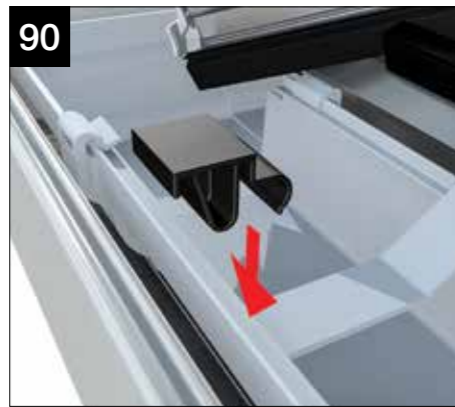


88 Fit cleats as shown earlier for the lower cornice section. Offer up the next middle cornice section. Continue to support lower section as shown in previous step.

Installation



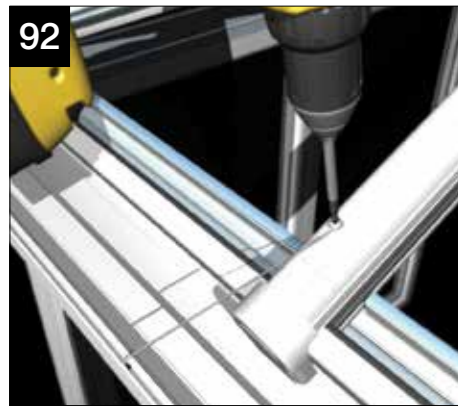
As shown previously it may be advisable to temporarily support the cornice whilst fixing. Secure corners using the cleats (CRN001) and fixings provided (CRN006).



Clip fit the support brackets (CRN002), adjacent to every gutter bracket.



Temporarily support and fit the upper cornice section, using the fixings provided (CRN007).



Secure the upper cornice section using the wire ties at each glazing bar. Hook the wire tie into the pre-drilled hole in the upper cornice section and screw fix into the glazing bar, ensuring the upper section remains parallel to the frames/roof line.



Whilst ensuring that the corner remains located in position, screw fix using self drilling screws CRN007.



Slide down LANC090 so bracket cleats slot into top section.



Whilst ensuring the corner remains in position, screw fix using CRN007.



Finally, fix the tie wire using CRN010 screws, to secure the corner.



Whilst ensuring that the inline joint remains located in position, screw fix using self drilling screws CRN007

Installation

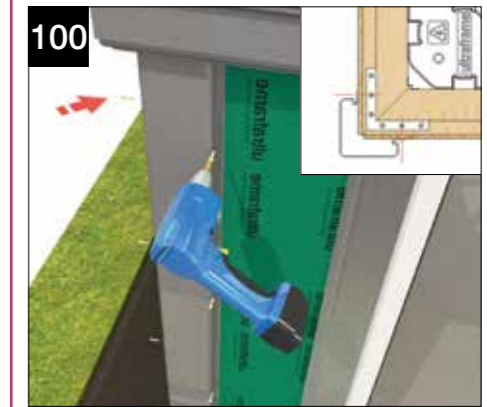
6000mm width Garden Rooms only:



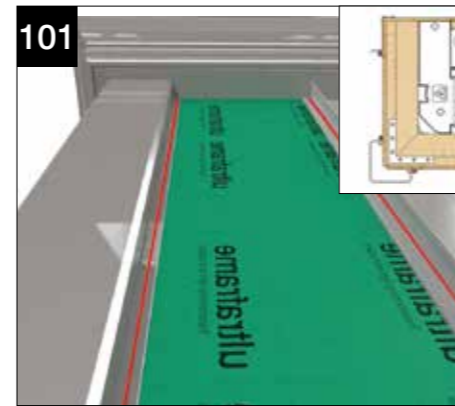
Slide the bracket into place ensuring bracket cleats slot into the top cornice section.



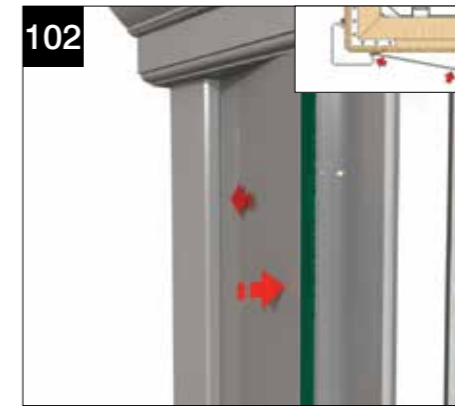
Whilst ensuring the in-line joint remains in position, screw fix using CRN007.



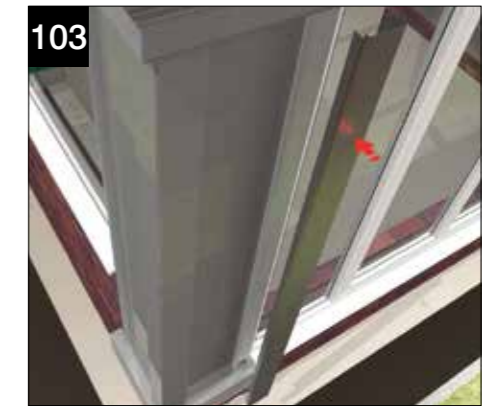
Position corner against column ensuring it is a good tight fit against the underside cornice/cill. Screw fix through holes into column using the 4.8 x 25mm pozi pan screws supplied (EFS021).



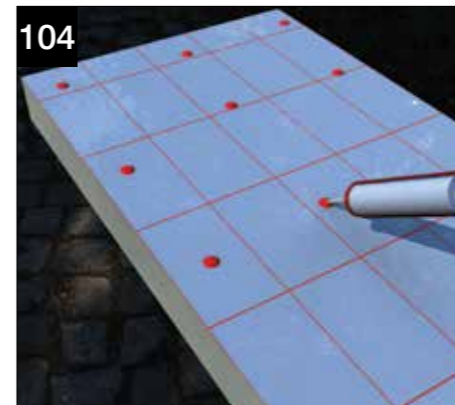
Silicone along the faces of the cladding clips as shown.



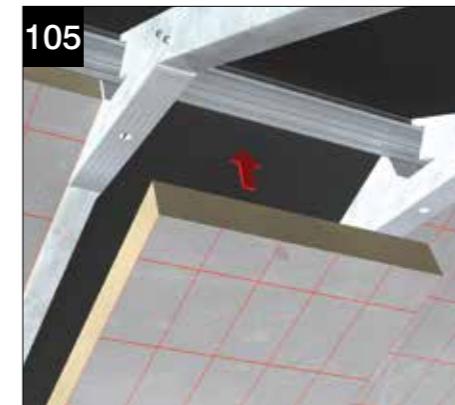
Push powder coated infill panel into one side of the corner cladding and rock back against face of cladding clip.



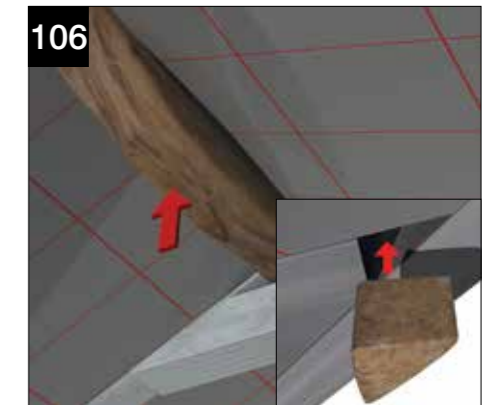
Clip on cladding as shown by locating inside clip first and rocking round the external clip.



Now moving onto the installation of the insulation. Take the 90mm insulation board – each part is numbered/lettered to identify where it goes (label always to the inside of the conservatory). Spot the board with sealant.



Insert the board into position between bars and ensure sealant 'grabs'.

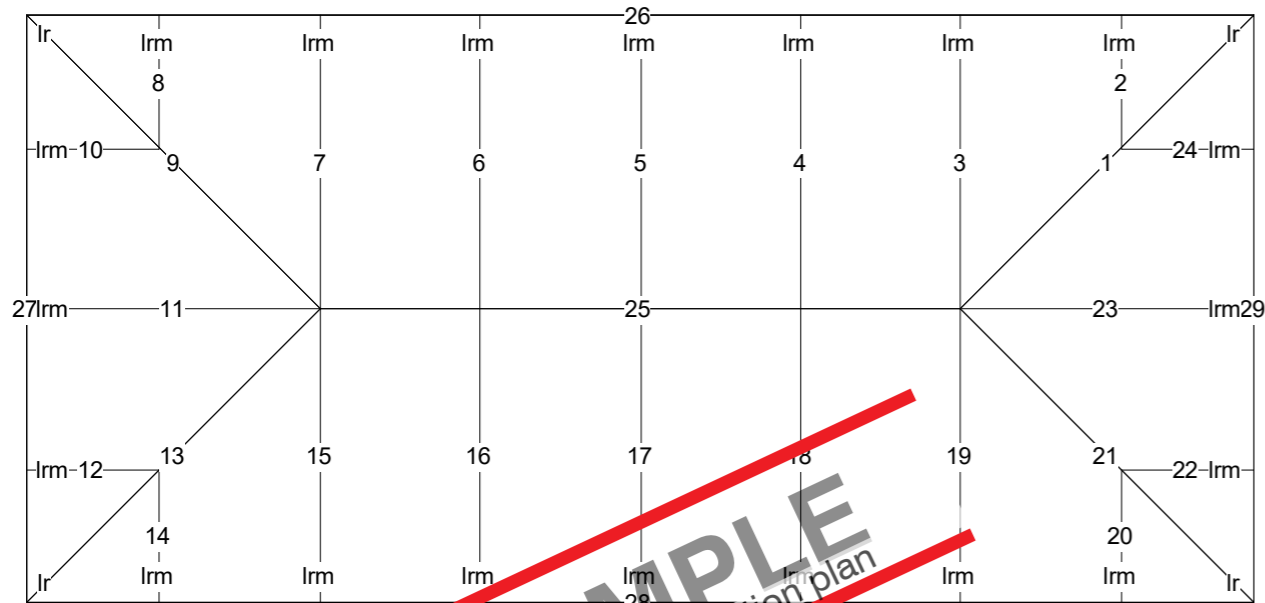


Fill ridge voids – including the ridge radius end – using the mineral wool supplied. In jack rafter positions, use a piece of mineral wool to ensure the potential for cold bridging is minimised.

Installation

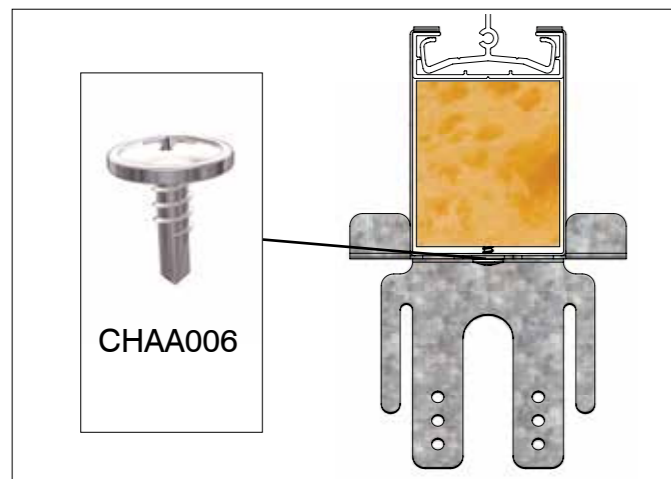
Pelmet Brackets

IMPORTANT NOTE: Left (L) and right (R) dimensions are viewed internally.

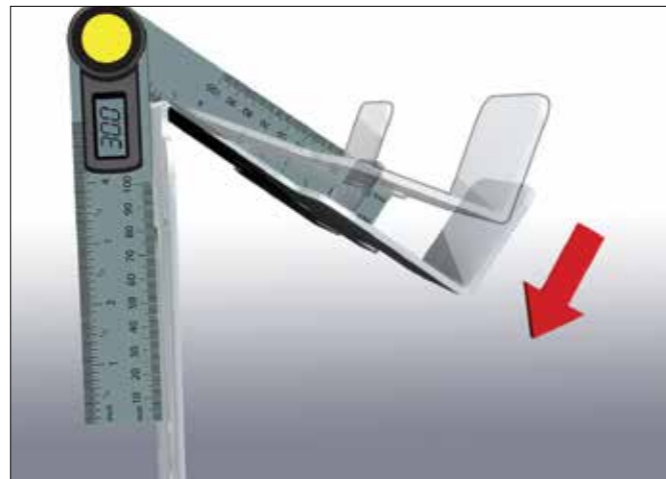


Std. Brackets Bar Position(s)	CHA 001	CHA 003	CHA 090	CHA 011	CHAA 019L	CHAA 019R
	mm	mm	mm	mm	mm	mm
1,9,13,21			S-101L/R			
2,5,8,14,17,20	S-144					
3,6,15,18	S-144					S-175
4,7,16,19	S-144				S-175	
10-12,22-24	S-144					

OVERVIEW

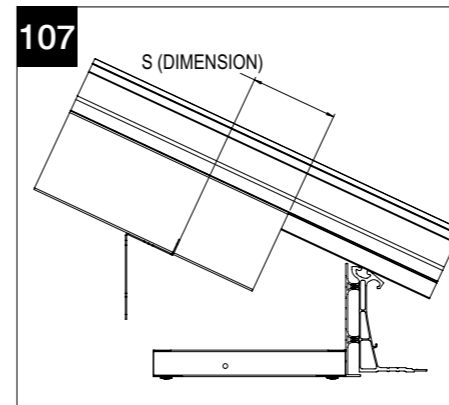


GENERAL NOTE ON BRACKET FIXING 1: Bracket fixing screws must be fit central of glazing bar, mark up the centre line of the bar on to the undercladding if it is not clear by sight.

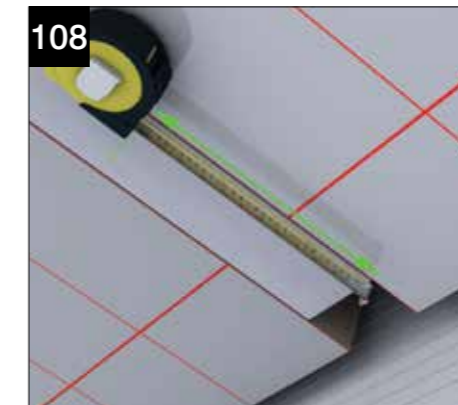


GENERAL NOTE ON BRACKET FIXING 2: Fitters tip - prep all of the brackets by BENDING to pitch before attaching to bars.

Installation



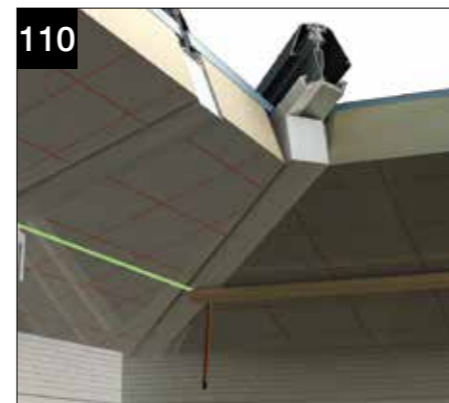
Measurements are ALWAYS from the bottom edge of the steel bolster when solid panel is inserted into bar.



Using location plan provided, measure up and mark from bottom of steel bolster.



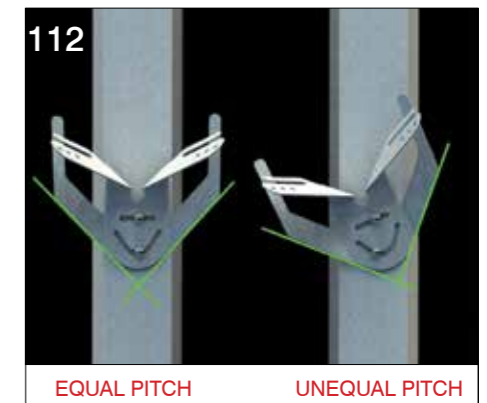
Take the transom bracket supplied and attach using fixings provided CHAA006.



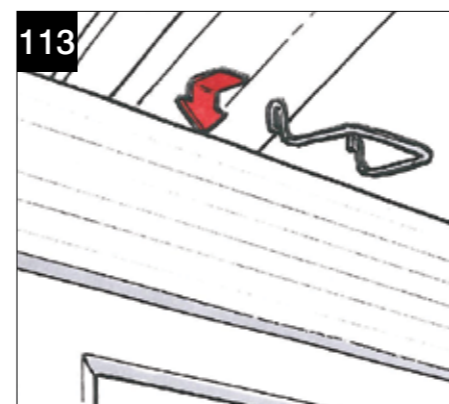
Having attached all the transom brackets, using a string line or straight edge mark across to each side of hip bar.



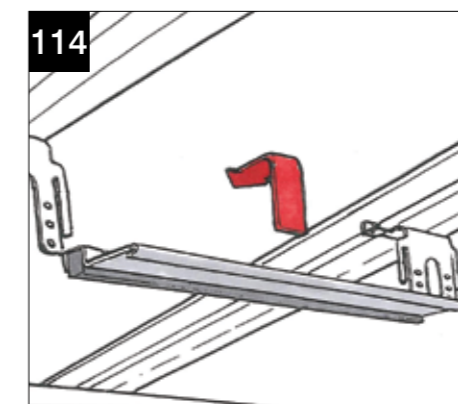
Now attach using one of the two M4 x 13mm self drill Phillips pan head screws supplied – one screw curved top slot - do not 'nip up' at this stage, but allow bracket to pivot.



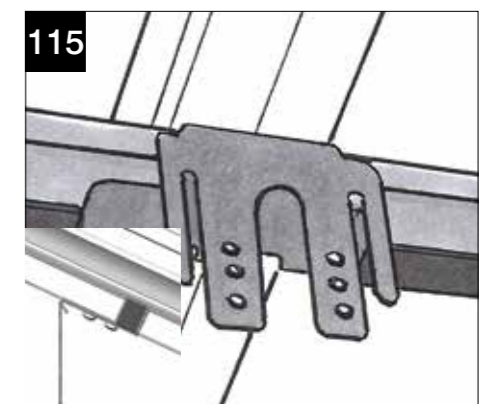
Where the roof is equal pitch across the hip, the bracket should sit as shown. On unequal pitches, the bracket may be skewed as above.



Over the planked fascia board at the eaves, at each transom bar position, hook over the cloaking panel support clips CHA002.

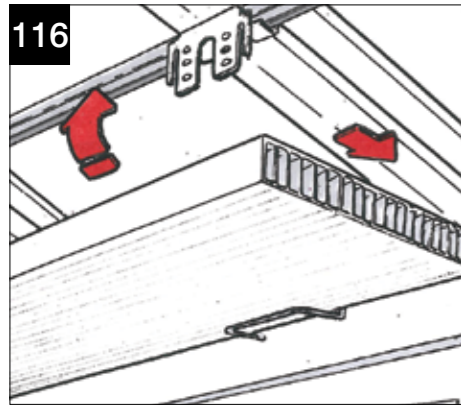


Offer into position the cloaking panel (polycarbonate) support trim – this is lifted up and over the two tabs – one per side of either the transom or georgian brackets.

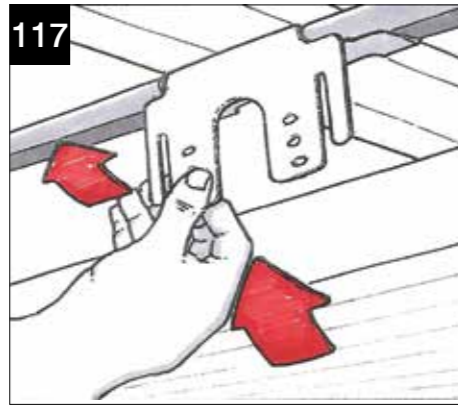


This is what you should see from the underside and the side view. Now select the cloaking panel (polycarbonate) support trim for the remainder of the positions.

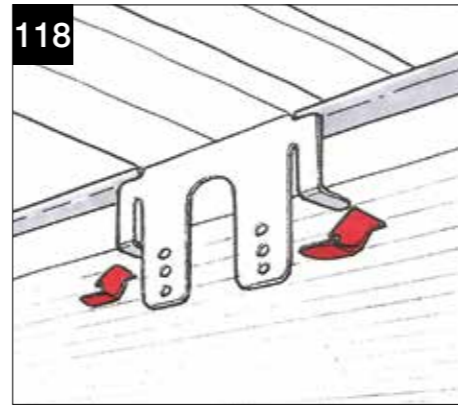
Installation



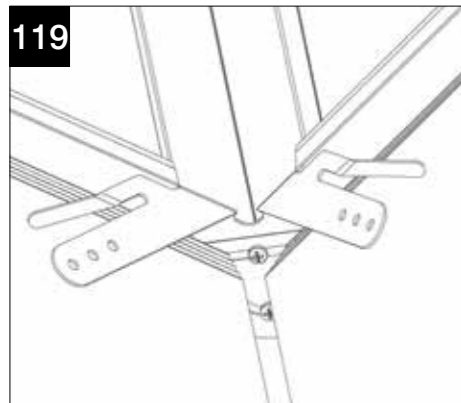
Referring to the location plan, take the appropriate piece of polycarbonate cloaking panel which lays parallel to the eaves. Next, 'sit' it into each of the support clips that are hooked over the fascia. Then push the polycarbonate up into the roof.



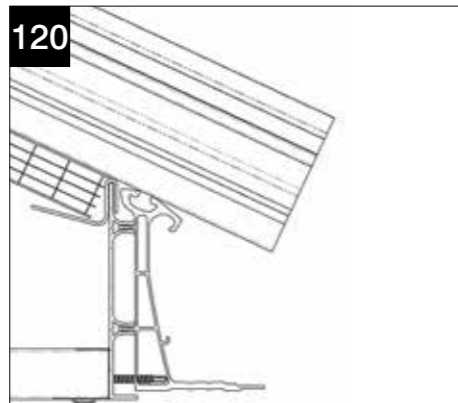
As the polycarbonate is swung into position, the transom brackets may need to be bent slightly backwards to allow the polycarbonate to clear them.



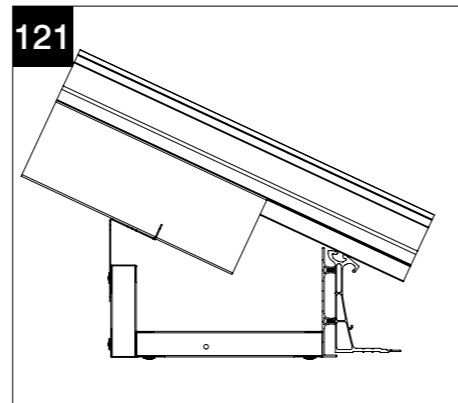
Next bend back the long legged tabs to hold the polycarbonate cloaking trim in its final position.



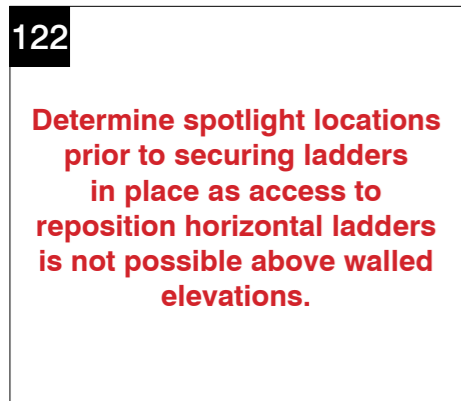
Undertake the same task on the georgian brackets – ensure the polycarbonate cloaking panel is secured each side of the hip.



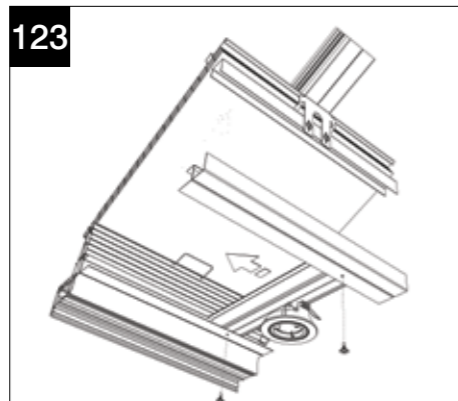
On fascia



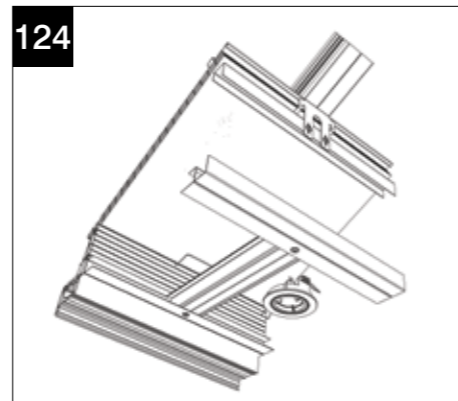
Solid pelmet position.



Determine spotlight locations prior to securing ladders in place as access to reposition horizontal ladders is not possible above walled elevations.



If a spotlight clashes with a cross rail, simply unscrew the cross rail and relocate as close as possible to the original location.



Spot light no longer clashes as horizontal ladder is re-configured on site.

Installation



Assemble matching vertical and horizontal frames - use fixings at 250mm centres into pre-punched holes. Ladders will have different front heights depending whether there is glazing or solid panel.

SEE LOCATION PLAN FOR LADDER LAYOUTS



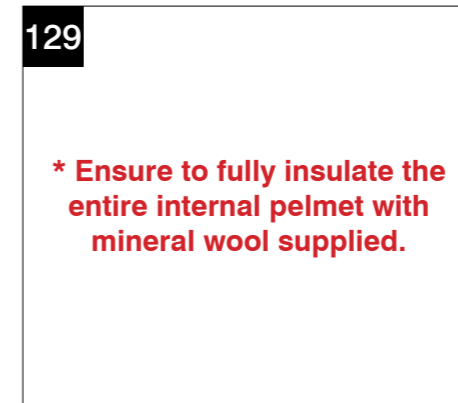
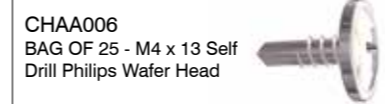
Attach pre-assembled frame to the eaves fascia in the position shown in step 120.



Undertake a final check that all is plumb, level and true. Three fixing positions are provided, choose appropriate one per bracket leg.



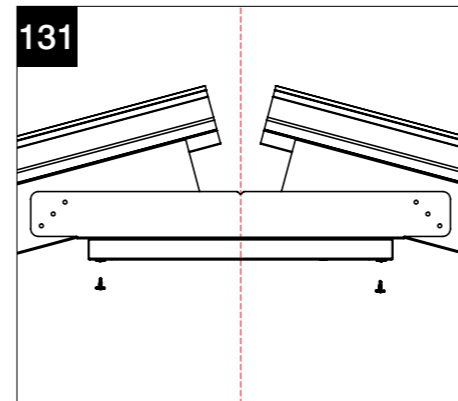
Attach ladders at the corner using 2 x M4 x 13mm fixings per joint.



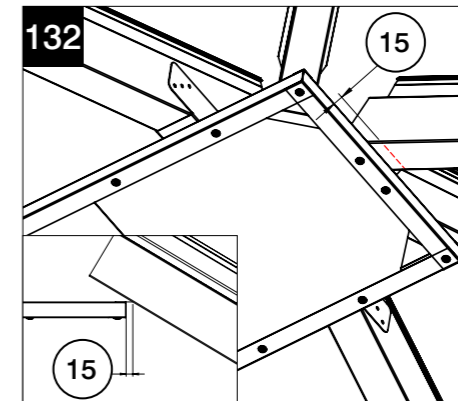
*** Ensure to fully insulate the entire internal pelmet with mineral wool supplied.**



Use mineral wool to close any gaps between 90mm insulation and eaves beam. Finally ensure to fully insulate the entire internal pelmet with mineral wool supplied. This reduces condensation risk.



Centre ridge board.

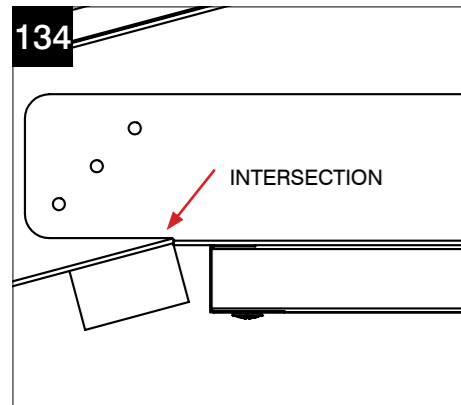


Set ridge board 15mm back from pitch line



Next take the pre-manufactured ridge board framework – ensure the board sits on the centre line of the ridge - struts. Use drywall screws. NOTE: ENSURE INSULATION IS FITTED PRIOR TO FIXING RIDGE BOARD

Installation



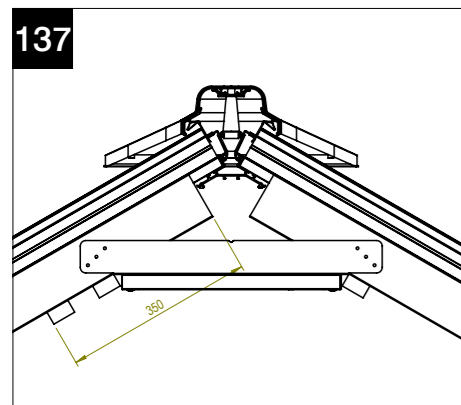
Next, fit battens around the ridge board. Line 25 X 44 battens with intersection of glazing bar and strut. GENERAL NOTE: BATTENS ARE FIXED IN POSITIONS WHERE PLASTERBOARD CHANGES DIRECTION, ENABLING SCREWS TO BE FIXED TO THE EDGE OF THE PLASTERBOARD. BATTENS SUPPLIED IN PACKS, NEED TO BE CUT ON SITE TO SUIT.



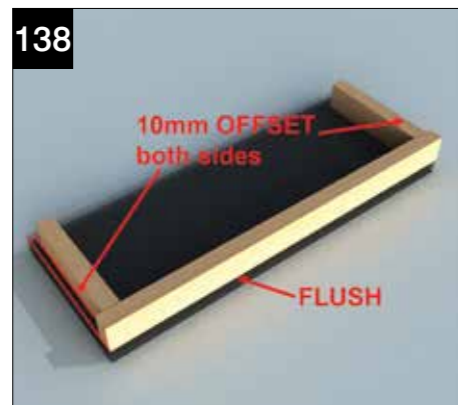
Attach timber battens at every strut position using dry wall screws. BATTENS SUPPLIED IN PACKS, NEED TO BE CUT ON SITE TO SUIT.



This is how battens should look at the georgian end.



On the ridge end - where glazed panels are present - a second row of battens are needed. Measure down from the end of the steel bolster as shown.



ASSEMBLE POLYCARBONATE SCREENS
Cut 25 X 44 battens and fit using double sided tape (LVGS001). Fit battens flush with front edge and 10mm back on each side.



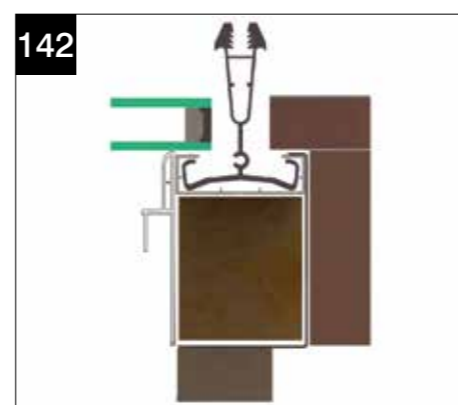
Slot assembly into position.



IMPORTANT: Position cloaking panel assembly in-line with the cross batten (as shown) screw fit into position.



Fit LVCT600W and ensure it touches glass. Screw fit using drywall screws) along the lower edge.



Down each side of glazed area, attach a timber batten ensure it sits in-line with bolster. Then fit the LVCT 600W trim ensuring this touches the glass.

Installation



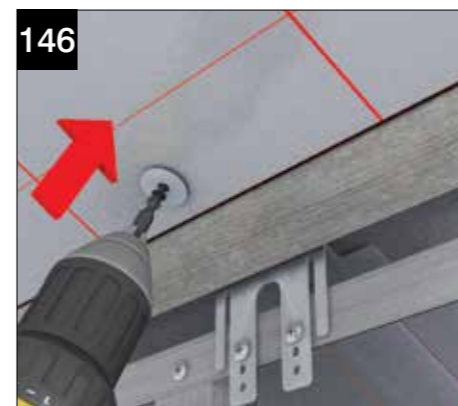
Fit LVCT trim - ensure it touches glass. Screw fit.



At eaves attach batten into steel bolsters using dry wall screws.



Next fit the 25mm insulation board, which is 590 x 2400mm. These boards must be laid at right angles to the glazing bars and run across the bars.

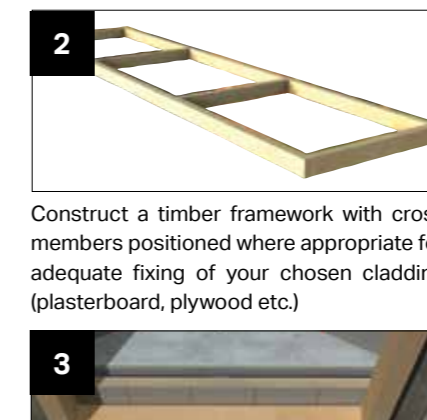


Fasten through the board and into the glazing bars using fixing kit provided LVIK025 behind the head to offer additional support to the board. Use location plan to identify board positions. Use tape LVFT045 - foil sealing tape - tape ALL joints of 25mm insulation.

Alternative Ridge Board Detail



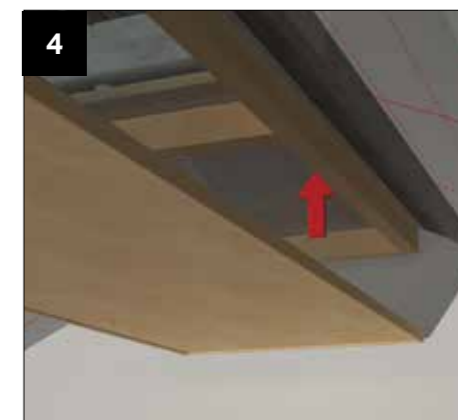
It may be desirable to create a 'box' detail under the ridge board to facilitate the inclusion of downlights etc. Note: Ultraframe does not supply an off the shelf solution for this detail.



Construct a timber framework with cross members positioned where appropriate for adequate fixing of your chosen cladding (plasterboard, plywood etc.)



Fix the timber into position using screws of sufficient length to pass through ridge board and into the struts, as shown.



Clad the box with the preferred material (plasterboard, plywood etc.) and finish with a decorative timber edge moulding

Boarding and Plastering

IMPORTANT NOTE: Before applying 12.5mm foil backed plasterboard to ladder framework check lighting positions and adjust horizontal ladders to suit.

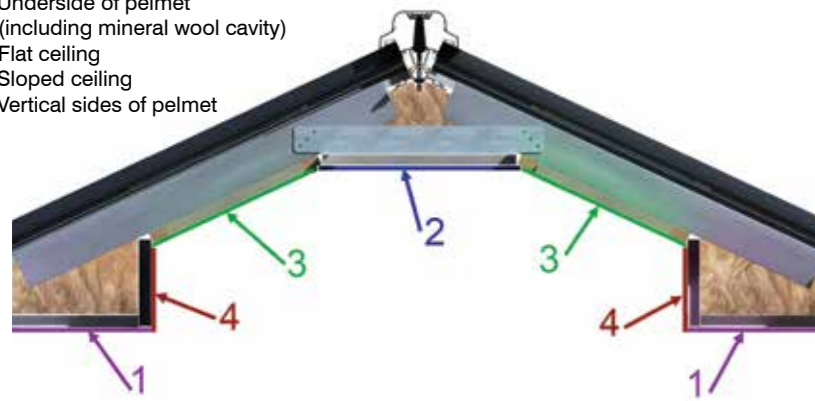
Guidance is based on advice provided by the SITE BOOK available from www.british-gypsum.com or call 0844 800 1991 or bgtechnical.enquiries@bpb.com.

This guidance based on the use of Thistle Finishing Plaster and 12.5mm Gyproc Wallboard Duplex T/E which has an additional metalised polyester film to act as a vapour control membrane.

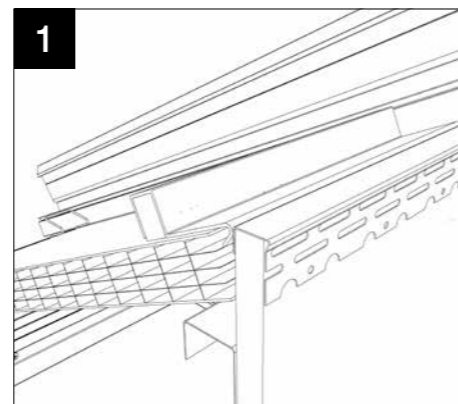
- Based on a 2mm skim finish. Temperature must be maintained above 5deg C until plaster is dry.
- Plaster skimming should always commence as soon as possible after the boards are fixed.
- Use thin wall beads attached with 'dabs' of plaster – to provide additional support during drying, attach with non-rusting nails, screws or staples.
- Reinforce flat joints with Thistle ProTape 50 or FT100 – these are made from glass fibre and are self adhesive and fitted before plastering.
- Any gaps bigger than 3mm must be pre-filled and reinforced using Gyproc Joint Tape which is embedded in the first coat over each joint, where sufficient plaster is left under the tape to ensure good adhesion and then a second plaster application used. This method is better resistance to cracking than glass fibre tapes.
- Ensure all plasterboard fitted to the horizontal and vertical ladders are scrim taped to the host wall prior to plastering.
- Apply Thistle Finishing Plaster with firm pressure, build out to 2mm thickness in two applications and then trowel to a smooth finish.

PLASTERBOARDING SEQUENCE

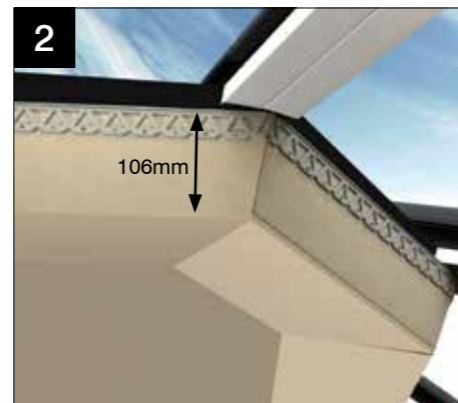
- 1 Underside of pelmet (including mineral wool cavity)
- 2 Flat ceiling
- 3 Sloped ceiling
- 4 Vertical sides of pelmet



STOP BEAD ADJACENT TO GLASS PANELS

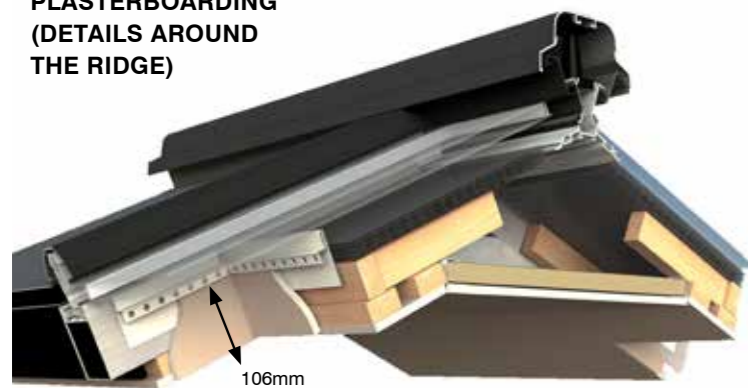


Ultraframe supplies a plasterers stop bead (CHA300) for the top edge adjacent to the glazing – ensure it is attached as shown. Be careful when handling/cutting this item not to damage the paint surface. Plasterboard finishes 20mm away from the glass.



Ridge end detailing

PLASTERBOARDING (DETAILS AROUND THE RIDGE)



106mm

www.ultraframetrade.co.uk

Gardenrooms
By Ultraframe

Job No.: 7098 GRIGP001 05/21 v1

It is Ultraframe's policy to continually seek to improve its products, processes and services, and we reserve the right to change specifications without prior notice. Ultraframe is a trading name of Ultraframe (UK) Limited.