

# WENDLAND LOW PITCH ENQUIRY FORM

Email all enquiries to: [sales@tcrderby.com](mailto:sales@tcrderby.com)  
 Tel: 01332 208206  
 Fax back to: 01332 208204  
 Text or WhatsApp: 07940438419



Company: .....  
 Account No. ....  
 Address: .....  
 .....  
 Postcode: .....  
 Tel: .....  
 Fax: .....  
 Mobile: .....  
 Contact Name: .....  
 Job Ref: .....

Requested delivery date: / /

Use the grid below to draw a sketch of your roof design giving your dimensions in millimetres

## HOUSE WALL

All sizes are INTERNAL SILL

**Wall on left**

Please tick box if appropriate:

**Frame on left**

Please tick box if appropriate:

**Wall on right**

Please tick box if appropriate:

**Frame on right**

Please tick box if appropriate:

**!! IMPORTANT !!** Show down pipe position with ⊗

We will use 0.6kn/m<sup>2</sup> to calculate the snow loading on this roof unless a site postcode is supplied.

ROOF COLOUR	EXTERNAL	INTERNAL
<b>WHITE</b>	<input type="checkbox"/>	<input type="checkbox"/>
Golden Oak	<input type="checkbox"/>	<input type="checkbox"/>
Cherrywood	<input type="checkbox"/>	<input type="checkbox"/>
Grey (7016)	<input type="checkbox"/>	<input type="checkbox"/>

ROOF GLAZING	
POLYCARBONATE - 32mm ONLY	
<b>CLEAR</b> <input type="checkbox"/>	Silver Opal <input type="checkbox"/>
Bronze <input type="checkbox"/>	Bronze Opal <input type="checkbox"/>
Opal <input type="checkbox"/>	Unglazed for poly <input type="checkbox"/>

FIRRINGS - 2.5 Degree	
<b>No Firrings Req</b>	<input type="checkbox"/>
Firrings Req - No Reinforcing	<input type="checkbox"/>
Firrings Req - With Reinforcing	<input type="checkbox"/>
If you would like Firrings cut to internal projection tick here	<input type="checkbox"/>

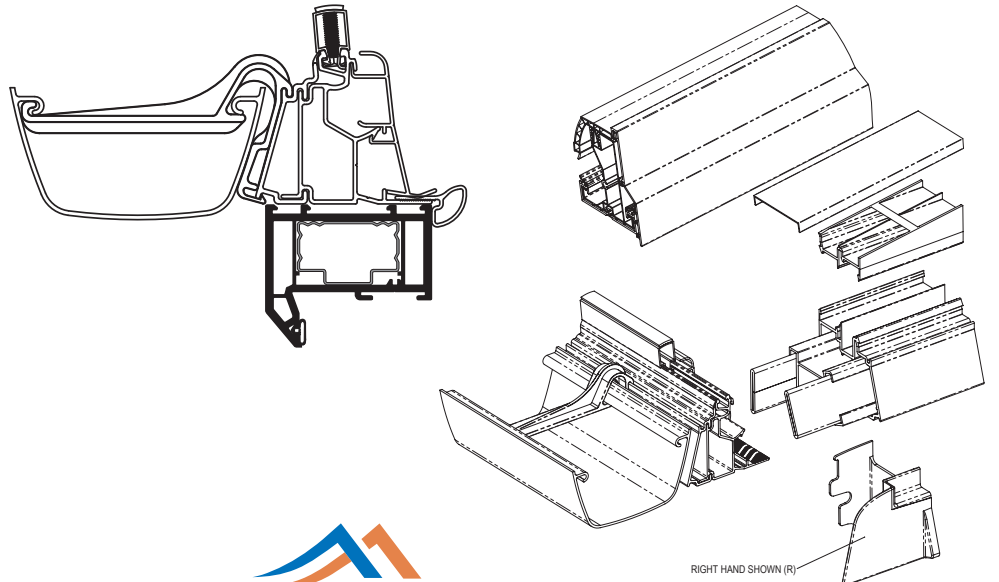
Bespoke Colour

External RAL\* \_\_\_\_\_

Internal RAL\* \_\_\_\_\_

\*Bespoke colours have black gutter as standard. Please cross below if you require painted gutter

Colour match gutter required\*



Please note: If none of the boxes are ticked we will take as **STANDARD**  
 For further information please refer to our structural information guide.  
 Our conditions of sale shall apply to the sale of the goods to the exclusion of all other terms, unless agreed in writing by TCR (Derby) Ltd.



RIGHT HAND SHOWN (R)