

Email all enquiries to: **sales@tcrderby.com**
 Tel: 01332 208206
 Fax back to: 01332 208204
 Text or WhatsApp: 07940438419



Company:
 Account No.
 Address:

 Postcode:
 Tel:
 Fax:
 Mobile:
 Contact Name:
 Job Ref:

Requested delivery date: / /

Use the grid below to draw a sketch of your roof design giving your dimensions in **millimetres**

HOUSE WALL

All sizes are INTERNAL SILL

!! IMPORTANT !! Show down pipe position with Please indicate all walls (**where higher than frame**) and box gutters if required.

For any unsupported sections (e.g. Bi-fold doors) please send your full frame layout along with the roof drawing.

We will use 0.6kn/m² to calculate the snow loading on this roof unless a site postcode is supplied.

ROOF COLOUR

EXTERNAL	INTERNAL
Grey (7016)	WHITE

PELMET/CORNICE

The internal pelmet is always required on Livinroof

PELMET WIDTH REQUIRED

Please see page 2 for Pelmet and Cornice detail - 30mm add on to head of frame required.

Standard Gutter Only - Grey

Cornice - Curved

Cornice - Flat - 1 Tier

Cornice - Flat - 2 Tier

Cornice - Flat - 3 Tier

White 9003

Grey 7016

Cream 1015

Bespoke RAL _____

ROOF GLAZING - PANEL SECTIONS

U-Tec through colour composite (7016)

Aluminium powder coated sandwich (7016) - premium option

Please indicate clearly on the roof sketch above the desired position of panel and glass sections.

ROOF GLAZING - GLASS SECTIONS

Unglazed

Clear on Low 'E'

Pilkington Active Clear*

Pilkington Active Neutral*

Pilkington Active Bronze*

Pilkington Active Blue*

Pilkington Active Aqua*

Sunshade Active Blue*

Ultra Grey*

Satin Privacy*

Glass U-value

All of our glass is now supplied as standard with a 1.0 U-value at no additional charge to 1.2 U-value units. Please speak to our sales team for any special glass options you may require.

ROOF PITCH

Lean-to **5°** Other

Duo **27°** Other

*If a min/max height req, please state above

FRAME THICKNESS

BOX GUTTER WIDTH - IF REQUIRED

165mm

265mm

Gallows brackets req. (**not supplied**)
 For bracket size use box gutter width plus any soffit detail.
 Standard 165mm and 265mm brackets can be supplied on request.

ROOF VENTS - IF REQUIRED

Manual (Brass) Manual (Chrome)

Electric* (Switch operated)

Fully Automatic* (Rain sensor & Thermostat)

Motor Case* - White Black

Other notes/extras:

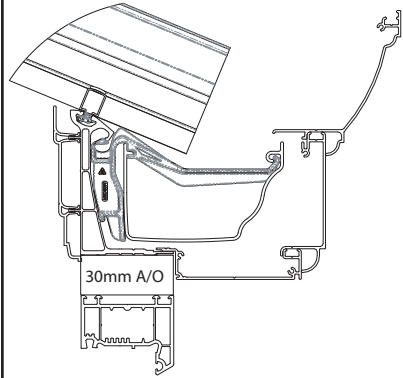
.....

.....

.....

Please note: If none of the boxes are ticked we will take as **STANDARD**
 For further information please refer to our structural information guide.
 Our conditions of sale shall apply to the sale of the goods to the exclusion of all other terms, unless agreed in writing by TCR (Derby) Ltd.





Option 1 - External Cornice Only

Standard Eaves & Internal Clad
30mm Packer or Add On
Required as Shown (Not Supplied)



Curved Cornice



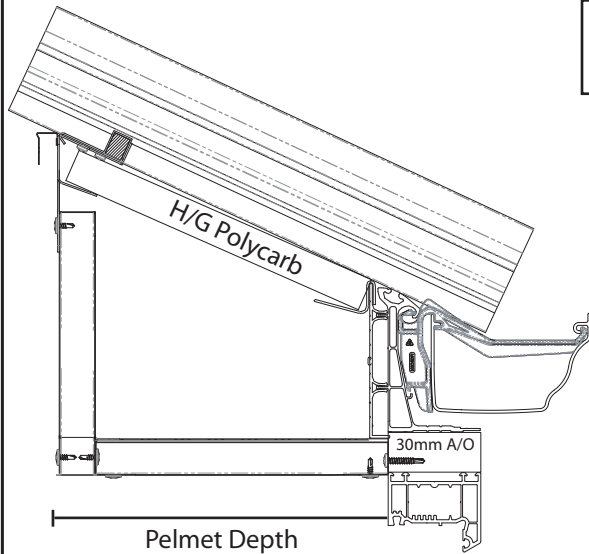
Flat - Tier 2



Flat - Tier 1



Flat - Tier 3



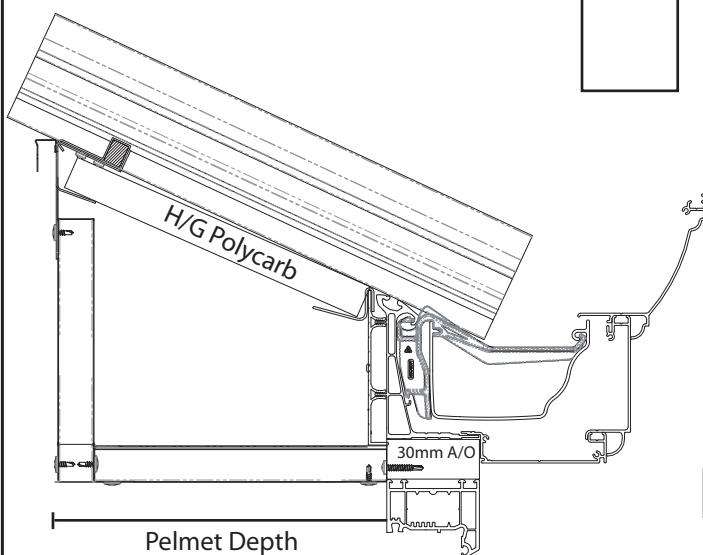
Option 2 - Internal Pelmet Only

Standard Eaves & Gutter
30mm Packer or Add On
Required as Shown (Not Supplied)
Plasterboard Not Supplied



Pelmet Depth Required

This will be applied to the main section and may vary depending on pitches.



Option 3 - Pelmet & Cornice

Standard Eaves
30mm Packer or Add On
Required as Shown (Not Supplied)
Plasterboard Not Supplied



Pelmet Depth Required

This will be applied to the main section and may vary depending on pitches.



Curved Cornice



Flat - Tier 2



Flat - Tier 1



Flat - Tier 3

If being used in conjunction with Bi-Fold support please seek advice from our technical team.