

WENDLAND LANTERN ENQUIRY FORM

Email all enquiries to: sales@tcrderby.com
 Tel: 01332 208206
 Fax back to: 01332 208204
 Text or WhatsApp: 07940438419



Company:
 Account No.
 Address:
 Postcode:
 Tel:
 Fax:
 Mobile:
 Contact Name:
 Job Ref:

Required delivery date: / /

GIVE ALL DIMENSIONS IN MILLIMETRES TO **EXTERNAL KERB / UPSTAND**



Your lantern will be designed with the minimum number of bars recommended based on size. If you have any specific rafter detail please check with a member of our team for suitability

KERB WIDTH WILL BE ASSUMED AS 100mm UNLESS STATED OTHERWISE.

KERB WIDTH (IF NOT STANDARD) =

We will use 0.6kn/m to calculate the snow loading on this roof unless a site postcode is supplied.

ROOF GLAZING

- Unglazed for 24mm units
- Clear Low-E 1.2*
- Bronze Tint Low-E 1.2*
- Active Clear 1.2*
- Active Neutral 1.2*
- Active Bronze 1.2*
- Active Blue 1.2*
- Sunshade Blue 1.0
- Ultra Grey 1.0

*U-value upgrade optional please check below if required
 Upgrade to 1.0 U-value

ROOF COLOUR

External	Internal
<input type="checkbox"/> White RAL9016	<input type="checkbox"/> White RAL9016
<input type="checkbox"/> Grey RAL7016	<input type="checkbox"/> Grey RAL7016
<input type="checkbox"/> Black RAL9005	<input type="checkbox"/> Black RAL9005

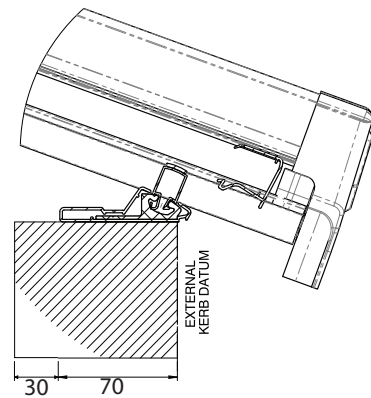
BESPOKE PAINTED COLOUR

External	Internal
RAL _____	RAL _____

*Bespoke colours may be subject to additional lead times.

ROOF FINISH

- UPVC EXTERNAL
UPVC INTERNAL
- ALUMINIUM EXTERNAL
UPVC INTERNAL
- ALUMINIUM EXTERNAL
ALUMINIUM INTERNAL



ROOF VENT

- Manual - Brass pole
- Manual - Chrome pole
- Electric* - Switch operated
- Electric* - Thermostat & Rain Sensor

*Electric motor case colour White Black

Lanterns require a minimum span of 1600mm to fit opening vents

The Wendland Lantern roof has been specifically designed to be fastened down to a structurally supportive upstand in a flat roof situation. It is the sole responsibility of the installing company to make sure the supporting superstructure is designed to resist the lateral loads imposed by the Wendland Lantern.

For further information please refer to our structural information guide. Our conditions of sale shall apply to the sale of the goods to the exclusion of all other terms, unless agreed in writing by TCR (Derby) Ltd.

A confirmation of the details given will be sent to you for verification. No order will be processed without this confirmation being accepted in writing.

